

European Solar Energy Storage

Who uses solar energy the least in north dakota



Overview

California came in as the best state for solar energy for good reason. The state has the largest solar energy usage, with over 28% of its energy deriving from solar. With 146 clear days, the Golden State is the fourth sunniest state in the nation, so it's no wonder that a whopping 38.2% of California homes are powered by.

Nevada ranks second on our list because the state has the most solar installations in the country, the most solar jobs and the most number of homes.

Utah is third on our list and third in the country for solar affordability—a solar installation costs nearly 12.7% of the median household income. The state has 125 days of clear skies and.

Hawaii ranks fifth for solar energy because it is the most affordable state for going solar, with the average solar installation taking up 12.40% of the.

Arizona is the best state for solar energy when it comes to the amount of sunlight homes can receive. The Copper State has nearly 200 days of clear weather per year and produces over 115.

North Dakota ranks last for the percentage of energy run by solar, at 0.01%. The state also has the twelfth lowest number of solar jobs, with 33.62 jobs per 100,000 residents.

North Dakota ranks last for the percentage of energy run by solar, at 0.01%. The state also has the twelfth lowest number of solar jobs, with 33.62 jobs per 100,000 residents.

North Dakota has substantial fossil fuel and renewable energy resources. 1, 2, 3 The state is the third-largest crude oil producer in the nation and has significant coal and natural gas reserves. 4, 5, 6, 7 Located at the geographic center of North America, North Dakota has a climate characterized.

The five states that generated the lowest percentage of electricity generation from solar power in 2023 were North Dakota, West Virginia, Oklahoma, Alaska, and South Dakota at 0.01%, 0.09%, 0.27%, 0.28% and 0.29%, respectively. In

fact, the bottom 14 states on the list get less than 1% of their.

California, has over 35,000 megawatts of solar installations powering over 8,000,000 homes. Massachusetts, has nearly 4000 megawatts of solar installations powering over 500,000 homes. Arizona, has over 5,000 megawatts of solar installations powering 800,000 homes. Hawaii, has 1,500 megawatts of.

North Dakota ranks dead last in the country in terms of solar adoption, so many homeowners assume that solar panels aren't a good investment in the area. In reality, solar is a better option for many North Dakotans than residents of many other states, although it's true that solar panels won't.

The state ranks last on installed solar power in the United States, with .47 MW of installed capacity. [1][2] Solar on rooftops can provide 24.6% of all electricity used in North Dakota from 3,300 MW of solar panels. [3] The most cost effective application for solar panels is for pumping water at.

There are currently at least unknown solar panel installations throughout the state of North Dakota right now. Select a city for local information: ← Solar Energy Local is set up to give as much local information as possible, so choose a city to get started. The average monthly solar radiation. Which states have the least solar power?

The biggest surprise we found when conducting our study was how poorly the lowest states ranked in each category. The two most unfriendly states for solar power are North and South Dakota. There are only three megawatts of solar power between them, with North Dakota only possessing one and South Dakota the other two.

Does North Dakota have solar power?

Traditionally a coal and wind state, the cost reduction of solar has enabled North Dakota to include solar power plants in its grid. A 200 MW solar station costing \$250 million and covering 1,600 acres was approved in 2019, to operate in Cass County by 2020.

Is North Dakota a solar-friendly state?

North Dakota is far from the most solar-friendly state, but there are still solar incentives offered in the area by the state and federal governments. One of the most significant incentives is the federal solar tax credit (ITC). This is a credit to your federal tax liability for 30% of your entire renewable energy

system expense.

How much money does North Dakota spend on solar power?

North Dakota's single megawatt worth of panels contribute enough energy to power only 113 homes, and South Dakota's two only power 213. Unsurprisingly, these states also contribute the least amount of funds toward solar power in the entire country, with North Dakota only spending \$2 billion and South Dakota \$4 billion .

Are solar panels worth it in North Dakota?

Solar panels provide the most savings and the most value in states where power bills are high, which could be attributed to elevated electricity rates or above-average energy consumption. North Dakotans pay below average for electricity but use more than most US residents.

Which states are most unfriendly for solar power?

The two most unfriendly states for solar power are North and South Dakota. There are only three megawatts of solar power between them, with North Dakota only possessing one and South Dakota the other two. North Dakota's single megawatt worth of panels contribute enough energy to power only 113 homes, and South Dakota's two only power 213.

Who uses solar energy the least in north dakota



Deye inverters and Deye batteries are more compatible.

North Dakota Rides the Winds of Change

Renewable energy brings great change and opportunity to the electrical grid and the communities benefitting from it. The Midwest is being powered by wind and solar energy in the home, as well as in the economy and job market. As ...

U.S. Energy Information Administration

North Dakota's rolling plains slope gently upward to the west toward the Rocky Mountains. Two major river systems, the Missouri River and the Red River, flow through North Dakota, and a ...



Solar Savings in North Dakota: Incentives Guide 2024

Explore solar savings in North Dakota! Learn about tax credits, net metering, RECs, and property tax exemptions for affordable clean energy.



South Dakota

The industrial sector, which accounts for almost half of the state's total energy use, is South Dakota's leading energy consumer, and

agriculture is the state's primary industry. 17, 18
 In ...



Solar laggards: The five states with the least amount of solar

Unraveling the intricacies of who is lagging in solar power adoption, and why, leads to a more complex discussion. The five states that generated the lowest percentage of ...

North Dakota State Energy Profile

North Dakota has undeveloped renewable energy resources, including geothermal and solar energy. 104 The state has moderate solar energy resources, but there is only a small amount of customer-sited, small-scale ...



Most Friendly States for Solar Energy (2022 Report)

The two most unfriendly states for solar power are North and South Dakota. There are only three megawatts of solar power between them, with North Dakota only possessing one and South Dakota the other two.

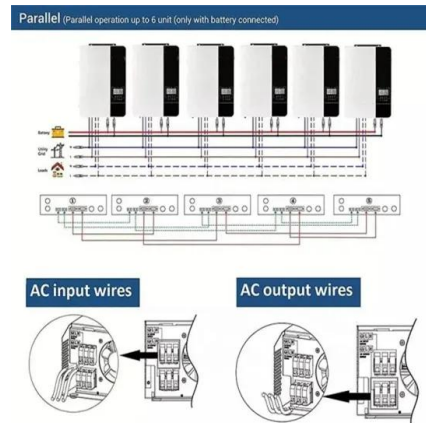
Which State Uses The Least Renewable Energy

The five states that generated the lowest percentage of electricity generation from solar power in 2023 were North Dakota, West Virginia, Oklahoma, Alaska, and Puerto Rico.



Should You Go Solar in North Dakota?

With those dynamics, solar panels in North Dakota can offset a higher portion of your utility electricity usage than you might expect! Keep reading to understand exactly what ...



Solar laggards: The five states with the least amount ...

The five states that generated the lowest percentage of electricity generation from solar power in 2023 were North Dakota, West Virginia, Oklahoma, Alaska, and South Dakota at 0.01%, 0.09%, 0.27%, 0.28% and ...



Most Friendly States for Solar Energy (2022 Report)

The two most unfriendly states for solar power are North and South Dakota. There are only three megawatts of solar power between them, with North Dakota only ...



2024 ANNUAL REPORT

Solar energy technology is based on two main types--photovoltaics (PV), which is the most common way of producing solar electricity in North Dakota, and concentrated solar power (CSP).



Does North Dakota get 36% of its available energy from wind?

Wind energy accounts for at least 36% of North Dakota's electricity generation. As of 2023, wind power made up about 36% of the state's net electricity generation and was ...

NORTH DAKOTA FACT SHEET

January 2024 capacity in North Dakota -- and there is 650 MW of planned additional clean energy capacity in the works, enough to power the equivalent of 72,300 additional homes. On ...

Modular design,
 unlimited combinations in parallel
BUILT-IN DUAL FIRE PROTECTION MODULE





Solar Power , ND Studies Energy Level 1

North Dakota has more hours of sunlight than any other state along the Canadian border, but unfortunately the state also has short days in the winter when electricity is in great demand. Solar energy is used in North Dakota for several ...

It can only get brighter: North Dakota's solar power future

North Dakota homeowners can also receive the federal investment tax credit, which covers 30% of installed system costs, which can save you thousands. But will our state ...




Is Solar Worth It in North Dakota? (2025 ...

Below, we'll be discussing the different metrics you can use to figure out if solar is a good option for your home. We'll also get into the benefits of converting to solar and some crucial things you need to keep in mind ...

Energy Resources of North Dakota , ND Studies ...

Renewable: energy from a supply that can be replaced or renewed in a short time. Wind North Dakota's wind resources rank 9 th in the United States. Wind farms are located in 25 North Dakota counties as of 2023. Geothermal ...


 **TAX FREE**

Product Model
 HJ-ESS-215A(100KW/215KWh)
 HJ-ESS-115A(50KW 115KWh)

Dimensions
 1600*1280*2200mm
 1600*1200*2000mm

Rated Battery Capacity
 215KWH/115KWH

Battery Cooling Method
 Air Cooled/Liquid Cooled




SECTION 29 Solar Energy System Facilities

SECTION 29 Solar Energy System Facilities A solar energy system may be permitted in an Agricultural District upon approval as a special use, provided the criteria and submittal ...

Going solar in ND: Incentives could spur industry growth

Solar in North Dakota North Dakota ranked 51st in the country for solar installations in 2022, according to the Solar Energy Industries Association (SEIA).



12V 10AH



The Best And Worst States for Solar Energy

North Dakota ranks last for the percentage of energy run by solar, at 0.01%. The state also has the twelfth lowest number of solar jobs, with 33.62 jobs per 100,000 residents.

State Energy Profile Data

Production North Dakota Share of U.S. Period find
more Total Energy 4,492 trillion Btu 4.4% 2023
find more Crude Oil 1,111 thousand barrels per
day 8.2% May-25 find ...



Contact Us

For catalog requests, pricing, or partnerships, please visit:
<https://bialydom.kolobrzeg.pl>