

European Solar Energy Storage

What solar energy can do



Overview

Why do people use solar energy?

People have used the sun's rays (solar radiation) for thousands of years for warmth and to dry meat, fruit, and grains. Over time, people developed technologies to collect solar energy for heat and to convert it into electricity. Radiant energy from the sun has powered life on earth for many millions of years.

What is solar energy & how does it work?

By far the most common solar energy technology, photovoltaics are an “additive” energy source that can be used on a single home’s rooftop or in a large farm producing thousands of megawatts of electricity—enough to power a midsize city. Instead of turning sunlight directly into electricity, concentrating solar turns it into heat.

What is solar energy?

solar energy, radiation from the Sun capable of producing heat, causing chemical reactions, or generating electricity. The total amount of solar energy incident on Earth is vastly in excess of the world’s current and anticipated energy requirements.

How do businesses use solar technology?

Businesses and industry use solar technologies to diversify their energy sources, improve efficiency, and save money. Energy developers and utilities use solar photovoltaic and concentrating solar power technologies to produce electricity on a massive scale to power cities and small towns. Learn more about the following solar technologies:.

What are the benefits of solar power?

Solar power is one of the cleanest and most sustainable energy options available. It: Produces zero greenhouse gas emissions during use. Requires

minimal water compared to traditional power plants. Offers long-term energy independence and stability.

What are the 5 uses of solar energy?

The five main uses of solar energy are solar electricity, solar water heating, solar heating, solar ventilation and solar lighting. There are more uses for solar energy, but home solar installation and businesses typically use solar energy for these purposes. What are the uses of solar energy?

What solar energy can do



Solar Energy

Solar energy is a form of renewable energy, in which sunlight is turned into electricity, heat, or other forms of energy we can use. It is a "carbon-free" energy source that, ...

Solar Energy

Solar energy is a renewable resource, and many technologies can harvest it directly for use in homes, businesses, schools, and hospitals. Some solar energy technologies ...



How does solar power work?

What is a solar cell? A solar cell is a device people can make that takes the energy of sunlight and converts it into electricity. How does a solar cell turn sunlight into electricity?

What are the 10 uses of solar energy in daily life?

A solar energy system can do more than just

heat your home or power your appliances; it can provide a host of benefits for daily life. Here are the top 10 ways to use solar energy in your everyday life:



TAX FREE

Product Model
 HJ-ESS-215A(100KW/215KWh)
 HJ-ESS-115A(50KW 115KWh)

Dimensions
 1600*1280*2200mm
 1600*1200*2000mm

Rated Battery Capacity
 215KWH/115KWH

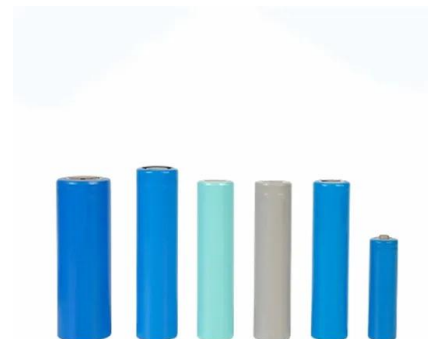
Battery Cooling Method
 Air Cooled/Liquid Cooled

Solar Energy

Fast Facts About Solar Energy Principal Energy Uses: Daylight, Electricity, Heat Forms of Energy: Thermal, Radiant Solar energy is radiant energy from the sun--a fully renewable energy ...

Solar -- Sources -- Student Energy

What is Solar? Solar energy is the most abundant, renewable energy source in the world. Solar energy systems refer to technologies that convert the sun's heat or light to another form of ...



Solar energy , Definition, Uses, Advantages, & Facts , Britannica

Solar energy is radiation from the Sun that is capable of producing heat, causing chemical reactions, or generating electricity. The total amount of solar energy incident on Earth ...

Can Solar Energy Help Reverse Global Warming?

The future of solar energy looks promising, with continuous advancements in technology making solar panels more affordable and efficient. The widespread adoption of ...

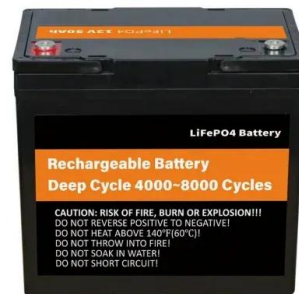


51 Most Popular Uses of Solar Energy in Daily Life

The five main uses of solar energy are solar electricity, solar water heating, solar heating, solar ventilation and solar lighting. There are more uses for solar energy, but home ...

Solar energy

Solar photovoltaic (PV) uses electronic devices, also called solar cells, to convert sunlight directly into electricity. It is one of the fastest-growing renewable energy technologies and is playing an ...



How Much Do Solar Panels Save The Average Homeowner?

Solar panels can be costly upfront, but they usually save money in the long run. Here's how much solar panels save the average homeowner over time.



Residential Uses For Solar Power - Forbes Home

You know that solar power can help you save on energy bills, but what else can it do? Here are a variety of things you can power in your home through solar.



Lithium battery parameters

Product capacity: 100Ah

Product size: 135*197*35mm

Product weight: 1.82kg

Product voltage: 3.2V

internal resistance: within 0.5



Solar energy technology and its roles in sustainable development

Hence, a large installed capacity of solar energy applications worldwide, in the same context, supports the energy sector and meets the employment market to gain sufficient ...

How Do Solar Panels Help Combat Climate Change?

Key Takeaways Solar panels help combat climate change by reducing greenhouse gas emissions, particularly carbon dioxide, and mitigating the effects of global warming. Solar panels harness renewable energy from the sun, ...



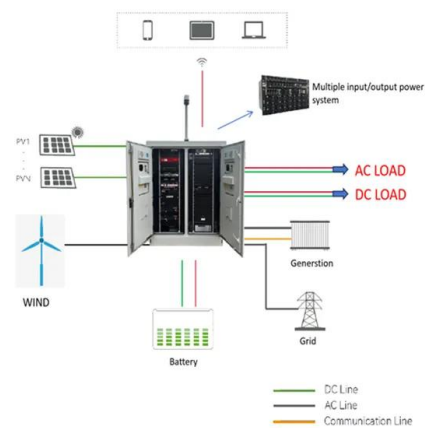
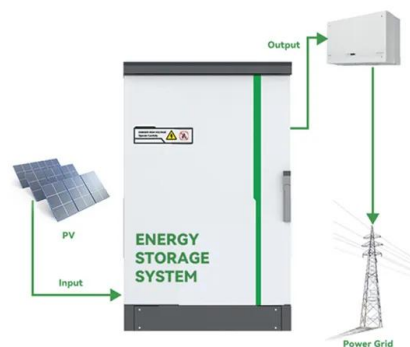


Solar Energy: A Powerful Green Future [Guide 2025]

Explore what is solar energy, how it works, its types, benefits, drawbacks, and applications. Learn how solar power can fuel a cleaner, sustainable future.

Solar Energy

Solar energy is a form of renewable energy, in which sunlight is turned into electricity, heat, or other forms of energy we can use. It is a "carbon-free" energy source that, once built, produces none of the greenhouse gas ...

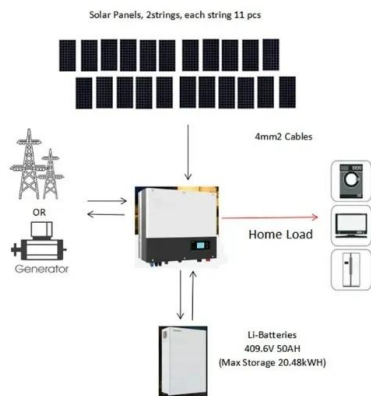


Solar Photovoltaic Technology Basics , NREL

Solar cells were soon being used to power space satellites and smaller items such as calculators and watches. Today, electricity from solar cells has become cost ...

How Is Solar Energy Useful to Us? A Comprehensive ...

Key Takeaways Solar energy is the most abundant energy resource on Earth, with the sun providing enough energy every hour to power the world for a year. Solar energy is a clean, renewable, and cost-effective power ...

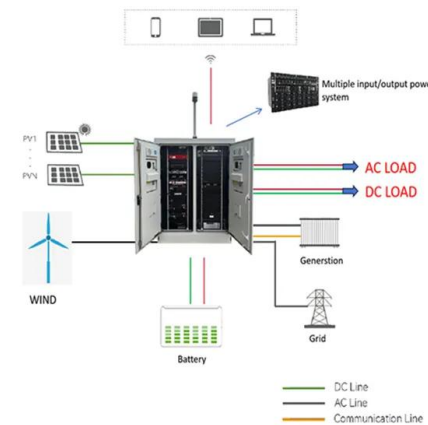


Solar explained

People have used the sun's rays (solar radiation) for thousands of years for warmth and to dry meat, fruit, and grains. Over time, people developed technologies to collect solar energy for ...

How Physics Powers Solar Panels and Renewable ...

The Thermodynamics of Renewable Energy Behind every form of energy generation lies thermodynamics--the physics of heat, work, and energy. The First Law of Thermodynamics tells us that energy cannot be ...



How Does Solar Work?

Solar technologies convert sunlight into electrical energy either through photovoltaic (PV) panels or through mirrors that concentrate solar radiation. This energy can be used to generate ...



10 Uses of Solar Energy

Solar energy is one of the most used renewable energy sources. This clean resource is used for a lot more than just powering homes. In fact, there are hundreds of ingenious ways to use solar energy to our advantage. In this ...



Solar energy

Solar energy is the radiant energy from the Sun's light and heat, which can be harnessed using a range of technologies such as solar electricity, solar thermal energy (including solar water heating) and solar architecture. [1][2][3] It is an ...

The Pros and Cons Of Solar Energy - Forbes Home

If you're considering going solar, it's helpful to know solar energy pros and cons first. This guide covers the advantages and disadvantages of solar energy.



Can Solar Energy Stop Climate Change?

The time to act on climate change is now, and many people are switching to solar to do their part with solar energy panel. But can solar energy stop climate change



Contact Us

For catalog requests, pricing, or partnerships, please visit:
<https://bialydom.kolobrzeg.pl>