

European Solar Energy Storage

What is the definition of solar energy



What is the definition of solar energy



Solar Energy: Definition, How it Works, Importance, ...

Solar energy, a cornerstone of renewable power, is at the forefront of the global transition towards sustainable energy systems. Solar energy harnesses the vast and endless radiation emitted by the sun to ...

Understanding the Definition of Solar Energy

Solar energy is a plentiful and sustainable source capable of exceeding our current and future energy needs. The Sun provides a diverse spectrum of energy, including ...



Solar Energy Definition

What is Solar Energy? Solar energy is a renewable and sustainable form of power derived from the radiant energy of the sun. This energy is harnessed through various technologies, primarily through photovoltaic cells ...

What is Solar Energy?

Uncover the definition, mechanisms, and transformative potential of solar energy. Explore how photovoltaic and thermal technologies

harness the sun's power for a cleaner, sustainable future. What is solar energy? Find out ...



[Solar Energy - SEIA](#)

Solar power is energy from the sun that is converted into thermal or electrical energy. Solar energy is the cleanest and most abundant renewable energy source available, and the U.S.

...

12 Important Facts About Solar Energy You Should Know

Solar energy represents a significant advancement in the pursuit of sustainable energy solutions. This article provides an overview of the definition of solar energy, alongside a ...



[What is solar energy? , Britannica](#)

Solar energy is the radiation from the Sun capable of producing heat, causing chemical reactions, or generating electricity. The total amount of solar energy received on Earth is vastly more than the world's current and anticipated ...



Solar energy , Definition, Uses, Advantages, & Facts , Britannica

What is solar energy? Solar energy is the radiation from the Sun capable of producing heat, causing chemical reactions, or generating electricity. The total amount of solar ...

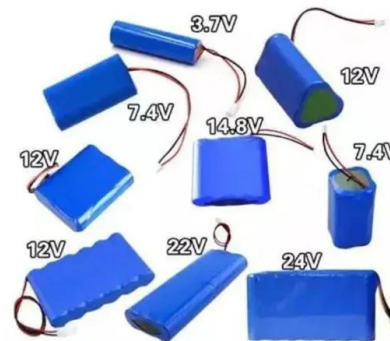


Introduction and definition of solar energy

From our industrial world's point of view, it is the source of all solar photovoltaic and solar thermal energy systems and the moving force of wind's circulation in the ...

What Is Solar Energy and How Does It Work?

Summary Solar energy is a clean and renewable energy source derived from sunlight. By using the power of solar panels, electricity can be generated and used to power homes, businesses, and communities. Solar energy offers ...



What Is the Definition of Solar Energy? A ...

Solar Energy's Role in Sustainable Development and Environmental Impact Solar power is a game changer for eco-conscious homeowners and renters in Long Beach, as it exemplifies the def of solar ...



Renewable energy

Renewable energy is usually understood as energy harnessed from continuously occurring natural phenomena. The International Energy Agency defines it as "energy derived from ...



Solar Energy Definition: What Is Solar Energy?

Passive solar energy is about consumption, while active solar energy is about generation. Using the two together can increase efficiency over time, creating cleaner energy. Embracing solar energy isn't just a matter of ...

Solar Energy

Fast Facts About Solar Energy Principal Energy Uses: Daylight, Electricity, Heat Forms of Energy: Thermal, Radiant Solar energy is radiant energy from the sun--a fully renewable energy ...





What Is Solar Energy?

What Is Solar Energy? Solar energy is defined as the transformation of energy that is present in the sun and is one of the renewable energies. Once the sunlight passes through the earth's atmosphere, most of it is in the form of visible light ...

Solar energy

Solar energy is the radiant energy from the Sun that can be harnessed using various technologies. Learn about the global potential, the active and passive solar techniques, and the benefits and challenges of solar energy.



Solar power 101: What is solar energy? , EnergySage

Solar energy is energy from the sun that we capture with various technologies, including solar panels. There are two main types of solar energy: photovoltaic (solar panels) and thermal.

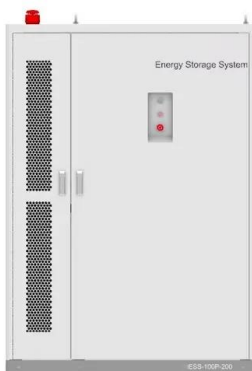
Solar Energy: Definition, How it Works, Importance, and Examples

Solar energy, a cornerstone of renewable power, is at the forefront of the global transition towards sustainable energy systems. Solar energy harnesses the vast and endless ...



SOLAR ENERGY definition , Cambridge English Dictionary

SOLAR ENERGY meaning: 1. energy that uses the power of the sun to produce electricity 2. energy that uses the power of.... Learn more.



What Is Solar Energy? How Does Solar Energy ...

How do we turn sunlight into electricity? Caltech scientists explain solar photovoltaic, concentrated solar power, and the challenges to come for solar energy.



What Is Solar Energy? How Does Solar Energy Work?

Solar cells connected together in photovoltaic modules (or solar panels) are the main mode of producing power with sunlight. In each cell, a material that generates an electric charge when ...



What Is Solar Energy? How Does Solar Energy ...

Solar cells connected together in photovoltaic modules (or solar panels) are the main mode of producing power with sunlight. In each cell, a material that generates an electric charge when hit by sunlight, typically silicon, is ...

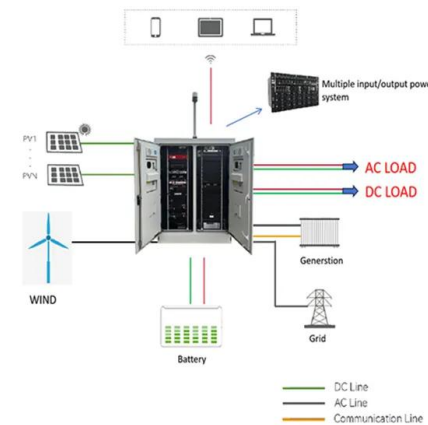


What is renewable energy? , United Nations

Renewable energy is energy derived from natural sources that are replenished at a higher rate than they are consumed. Sunlight and wind, for example, are such sources that are ...

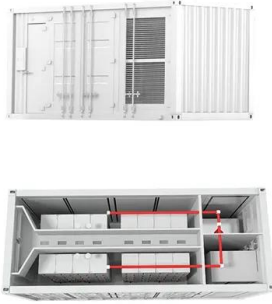
Solar power 101: What is solar energy? , EnergySage

Solar energy is energy from the sun that we capture with various technologies, including solar panels. There are two main types of solar energy: photovoltaic (solar panels) ...



What Is A Solar Panel? , Definition, Types, ...

Discover what is a solar panel and how it works. This article covers the definition of a solar panel, types, benefits, applications, and future of solar panel technology. Learn about the photovoltaic effect and how solar ...



What is Solar Energy?

Uncover the definition, mechanisms, and transformative potential of solar energy. Explore how photovoltaic and thermal technologies harness the sun's power for a cleaner, ...



How does solar energy work?

Solar power uses the energy of the Sun to generate electricity. In this article you can learn about: How the Sun's energy gets to us How solar cells and solar panels work What energy solar cells

What is solar energy? Definition, types and more

While solar energy is widely considered as synonymous with photovoltaic technology, it actually also encompasses a range of concentrated solar power configurations ...



Contact Us

For catalog requests, pricing, or partnerships, please visit:
<https://bialydom.kolobrzeg.pl>