

## European Solar Energy Storage

# What are the benefits of having solar energy



## Overview

---

Fossil fuel remains a resource in declining supply that, when burned to create energy, releases harmful byproducts into our atmosphere. Solar power has the potential to help us minimize our use of fossil fuels and the impact we have on the environment.

Solar energy can help most consumers power their homes as an alternative or supplement to purchasing electricity from a grid. With power prices on.

A home reliant entirely on solar power features the capacity to function entirely off-grid, especially when supplemented with a solar battery system to maintain power during non-daylight.

The start-up costs for a solar system represent a significant expense, but the costs are usually mitigated by savings on the electric bill. Consumers can often break even on the investment—usually within six to 10 years—and then start reaping the benefits well.

According to the National Renewable Energy Laboratory, every dollar a solar panel saves you on your electrical bills increases the value of your.

What are the benefits of going solar?

Most people go solar for economic benefits, but the other benefits of solar may pleasantly surprise you. Let's look into what you stand to gain financially and environmentally by going solar.

What are the advantages and disadvantages of solar energy?

The five main advantages of solar energy are: Let's dive to the biggest advantage for most homeowners: energy savings. As we mentioned above, solar panels are no longer a luxury item - they're a reliable long-term investment and a hedge against rising energy costs.

Why should you install a solar energy system?

Solar panels draw their energy from the renewable resource that is our sun. Not only does installing a solar energy system reduce your reliance on fossil

fuels (which improves your air quality and protects the environment), but it can also save you \$25,000 to over \$110,000 over its lifetime.

Why should you buy a solar system?

The primary advantage of solar energy is that it freezes your energy costs at a low rate for 25+ years, effectively shielding you from energy price increases. Here's how buying a solar system compares to paying for grid electricity looks for the average American household:

Why is solar power important?

Solar power can help the consumer keep bills low and with net metering, many consumers can even sell extra energy back to the utility company to turn rising electricity prices to their advantage. Technology has improved tremendously since the early days of solar power and advancements continue to be made every day.

Can a solar battery system save you money?

These battery systems can also turn solar systems into emergency backups during power outages. With energy storage, homeowners can avoid purchasing electricity during high time-of-use rate periods and benefit from energy arbitrage with net metering, maximizing savings. — Remi Akinwonmi, solar expert and clean energy advocate, Advisory Board Member

## What are the benefits of having solar energy

---



### Top 10 Advantages of Solar Energy You Should Know

Whether you're a homeowner, a business, or just someone curious about sustainability, understanding the benefits of solar energy is crucial. In this article, we'll explore ...

### The Advantages and Disadvantages of Solar Energy , Earth

We explore the main advantages and disadvantages of solar energy, the most abundant, fastest, and cheapest energy source on Earth.



### 19 Advantages and 13 Disadvantages of Solar Energy in 2025

When you decide that you are going to use solar power in your home, apartment, building, or business space, you will need to find out what are the advantages of solar energy.



### What are the advantages and disadvantages of solar energy?

1 ??· Solar energy is a renewable resource and

leads to much lower electricity bills. Solar panels are becoming more efficient and cheaper. Solar energy has the disadvantage of being ...

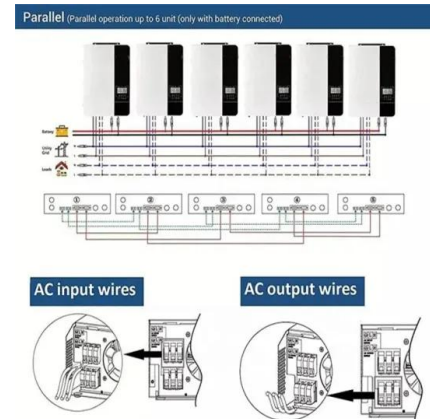


## The Pros and Cons Of Solar Energy - Forbes Home

Some of the solar energy pros are: renewable energy, reduced electric bill, energy independence, increased home resale value, long term savings, low maintenance.

## The Benefits of Solar: There Might be More Than You Think

Solar panels draw their energy from the renewable resource that is our sun. Not only does installing a solar energy system reduce your reliance on fossil fuels (which improves ...



## The Benefits and Challenges of Renewable Solar Energy , Solar ...

Learn the benefits and challenges of renewable solar energy. Discover how solar panels generate electricity, lower bills, and reduce your carbon footprint while supporting ...

## Top 10 Advantages of Solar Energy You Should Know

Whether you're a homeowner, a business, or just someone curious about sustainability, understanding the benefits of solar energy is crucial. In this article, we'll explore the top 10 advantages of solar energy and how it ...



## The Benefits of Solar: There Might be More Than You ...

Solar panels draw their energy from the renewable resource that is our sun. Not only does installing a solar energy system reduce your reliance ...

## Benefits of Residential Solar Electricity

Most states in the United States have good-to-excellent solar resource. Even places with relatively low solar resources, such as the Pacific Northwest and Alaska, can experience cost savings, ...



## Contact Us

For catalog requests, pricing, or partnerships, please visit:  
<https://bialydom.kolobrzeg.pl>