

European Solar Energy Storage

West african energy storage system prices



Overview

Also, the ECOWAS Master Plan which is being implemented by the WAPP is based on a least-cost planning and due to the lower costs associated with the development of the renewable energy technologies, the Master Plan foresees a transition towards sustainable use of renewable resources. As a result.

Also, the ECOWAS Master Plan which is being implemented by the WAPP is based on a least-cost planning and due to the lower costs associated with the development of the renewable energy technologies, the Master Plan foresees a transition towards sustainable use of renewable resources. As a result.

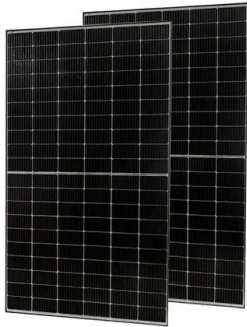
In 2023 the module price of solar modules amazingly dropped 40 % to less than \$0,15 per watt, mainly because of cheaper polysilicon but also because of technology improvements. Experts predict solar module prices will approach the threshold of \$0.10/W by 2025, and to reach \$ 0,07-0,08 per watt by.

New commercial and industrial energy storage systems from Huawei have been launched for the African market. As part of the Smart String ESS series, the LUNAR 2000-200 KWH energy storage solution offers 200 KWH of backup power and is appropriate for use in commercial and industrial settings. One can.

Africa's energy storage market has seen a boom since 2017, having risen from just 31MWh to 1,600MWh in 2024, according to trade body AFSIA Solar's latest report. The Solar Africa Solar Outlook 2025 details that energy storage has become a critical complement to variable renewable energy (VRE).

Battery Energy Storage Systems provide a solution by storing excess energy and releasing it when demand is high or generation is low. This helps balance the grid, reduces reliance on fossil fuels, and enhances cross-border electricity exchanges. In the ECOWAS region, where electrification rates are.

West african energy storage system prices

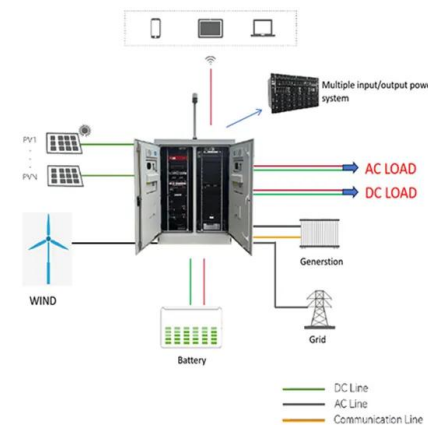


Regional Electricity Market and Energy Storage Program

This calls for the exploration of the use of battery energy storage systems to provide grid services such as frequency regulation, flexible ramping, black start, congestion relief, etc. Battery ...

BNEF finds 40% year-on-year drop in BESS costs

Around the beginning of this year, BloombergNEF (BNEF) released its annual Battery Storage System Cost Survey, which found that global average turnkey energy storage system prices had fallen 40% from ...



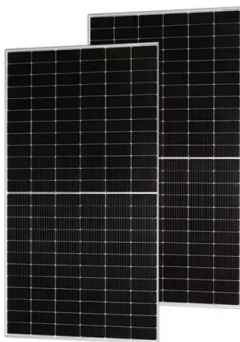
west africa energy storage battery price trend

Here's some videos on about west africa energy storage battery price trend Energy Storage 101 Energy Storage systems are the set of methods and technologies used to store ...

[Africa Energy Outlook 2022](#)

The Africa Energy Outlook, under the banner of our flagship World Energy Outlook series, has become a key contribution to developing a better

understanding of the trends and dynamics at ...



Energy storage companies exporting from West Africa

The Market Report Covers Renewable Energy Companies in West Africa and is Segmented by Type (Hydro, Solar, Wind, and Others) and Geography (Nigeria, Ghana, and Others). for ...

West africa energy storage battery prices

South Africa Delays Battery Storage Bids Over Grid Access Issues South Africa's push towards integrating more battery energy storage systems as part of its electricity grid enhancement has ...



west african energy storage electricity prices

Untapping West Africa's Renewable Energy Potential through ... West Africa is a key hotspot of the continent's energy transition efforts, as it features a growing demand for electricity, a fast ...

'Energy storage boom' in Africa from 31MWh in ...

Africa's energy storage market has seen a boom since 2017, having risen from just 31MWh to 1,600MWh in 2024, according to trade body AFSIA Solar's latest report.



Regional Electricity Market and Energy Storage ...

The West African Clean Energy Corridor (WACEC) initiative led by ECREEE with the support of GIZ, mainstreams massive renewable energy integration generation portfolio of member countries.

Africa's growing energy storage capacity is key to energy self ...

Africa's energy goals are closely tied to advancements in battery storage technology - not only in the generation of electricity but also in its efficient storage and ...



Guorun energy storage west africa , Solar Power Solutions

West African project gets 1.2MWh battery storage system Renewable energy technology manufacturer, JinkoSolar Holding Co Ltd, has this week announced that it will supply a ...



Regional Electricity Market and Energy Storage ...

This calls for the exploration of the use of battery energy storage systems to provide grid services such as frequency regulation, flexible ramping, black start, congestion relief, etc. Battery Energy Storage Systems (BESS) are ...



West African Energy Storage Trade: Powering the Future, One ...

Why West Africa's Energy Storage Market Is the Next Big Thing a region where sunlight blazes for over 2,500 hours a year, yet 60% of rural communities still lack reliable electricity. That's West ...

Solar Energy and Battery Energy Storage Systems in South African

George George Idowu South Africa's agriculture and agri-processing sectors face increasing financial challenges due to rising electricity tariffs, which affect energy-intensive ...

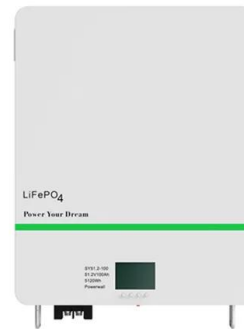


West Africa Energy Storage Record: How the Region is Powering ...

Let's face it - when you think of energy innovation, Silicon Valley or Europe might come to mind first. But hold onto your solar panels: West Africa is quietly rewriting the ...

2024 an enormous boom year for energy storage ...

Boom times for energy storage have extended to the continent of Africa, with a 10-fold increase in installed storage supporting grids and renewable energy penetration.



Role of energy storage systems in Africa's green ...

We explore how energy storage is key for intergrating renewables into the grid - even as regulatory regimes struggle to catch up The following article was first published in the May 2021 edition of The ...

Largest in West Africa , C& I Energy Storage System

Articles related (50%) to "largest in West Africa"
West Africa Energy Storage Record: How the Region is Powering a Brighter Future Let's face it - when you think of energy innovation, ...



West africa portable energy storage power supply

About West africa portable energy storage power supply As the photovoltaic (PV) industry continues to evolve, advancements in West africa portable energy storage power supply have ...

west africa energy storage container prices

Energy storage costs Small-scale lithium-ion residential battery systems in the German market suggest that between 2014 and 2020, battery energy storage systems (BESS) prices fell by ...



west africa pack energy storage system prices

When you're looking for the latest and most efficient west africa pack energy storage system prices for your PV project, our website offers a comprehensive selection of cutting-edge ...



West Africa Energy Storage Power Supply Price List Trends

...

Understanding Energy Storage Demand in West Africa West Africa faces a critical need for stable energy solutions due to grid instability and rapid population growth. Solar hybrid systems ...



Seaport West Africa Energy Storage: Powering the Future of ...

Why West African Ports Are Betting Big on Energy Storage A bustling container ship docks at Lagos Port, its crew racing against sunset to unload cargo. Suddenly, the grid ...

West africa pack energy storage battery prices

The West Africa Battery Market is projected to register a CAGR of greater than 4% during the forecast period (2024-2029) The new Regional Electricity Access and Battery-Energy ...





West african energy storage design

1. Energy storage technology enhances grid reliability and stability, 2. It promotes renewable energy uptake by addressing intermittency issues, 3. Innovative energy solutions Africa: ...

price trend of photovoltaic energy storage modules in west africa

By interacting with our online customer service, you'll gain a deep understanding of the various price trend of photovoltaic energy storage modules in west africa featured in our extensive ...



- TELECOM CABINET
- BRAND NEW ORIGINAL
- HIGH-EFFICIENCY

west africa household energy storage subsidy

State-of-the-Art of Mini Grids for Rural Electrification in West Africa The current electrification status in West African countries presents rural electrification rates below 40%, national grid ...

West African project gets 1.2MWh battery storage ...

Pumped hydro dams are prominently used as energy storage in West Africa, but that is changing with the increase in renewable energy and battery energy storage systems. The falling prices of ...



Lithium Battery Energy Storage , LonianESS Manufactured

Africa is undergoing an energy transformation, with lithium battery storage systems at its core. As of 2025, over 600 million Africans still lack reliable electricity access (IEA, 2025), creating an

...



Africa Energy Storage Market 2024-2030

New commercial and industrial energy storage systems from Huawei have been launched for the African market. As part of the Smart String ESS series, the LUNAR 2000-200 KWH energy storage solution ...



West Africa Energy Storage Power Supply Price List Trends

...

Discover the latest pricing trends and innovative energy storage solutions shaping West Africa's renewable energy sector. Learn how to optimize costs while ensuring reliable power supply.



West africa pack energy storage battery prices

Small-scale lithium-ion residential battery systems in the German market suggest that between 2014 and 2020, battery energy storage systems (BESS) prices fell by 71%, to USD 776/kWh.



energy storage device prices in west africa

Renewable energy technology manufacturer, JinkoSolar Holding Co Ltd, has this week announced that it will supply a 1.2MWh energy storage system to West Africa. Jinko says its all ...



Contact Us

For catalog requests, pricing, or partnerships, please visit:
<https://bialydom.kolobrzeg.pl>