

## European Solar Energy Storage

# Vt power station price Eritrea



## Overview

---

This article lists all power stations in with more than 0.5 MW installed capacity. In addition, smaller stations do exist and small off-grid stations as well.

This article lists all power stations in Eritrea with more than 0.5 MW installed capacity. In addition, smaller stations do exist and small off-grid stations as well. [1].

This article lists all power stations in Eritrea with more than 0.5 MW installed capacity. In addition, smaller stations do exist and small off-grid stations as well. [1].

This article lists all power stations in Eritrea with more than 0.5MW installed capacity. In addition smaller stations do exist and small off-grid.

A significant government investment at Hirghigo electricity project is expected to address the power supply problem by increasing power generation by 41.2 % to 136 Megawatts Source: Eritrea - Interim Country Strategy Paper (I-CSP) 2017-2019 Update to End 2021 and 2019 Country Portfolio Performance Review.

Less than half of the population of Eritrea has access to electricity . Most of the country's electricity generation comes from imported oil.

This article lists all power stations in Eritrea with more than 0.5 MW installed capacity. In addition, smaller stations do exist and small off-grid stations as well. [1]Are there any power stations in Eritrea?

This article lists all power stations in Eritrea with more than 0.5 MW installed capacity. In addition, smaller stations do exist and small off-grid stations as well. / 13.0412; 42.7106 ( Assab Wind Farm) / 15.5333; 39.4500 ( Hirgigo Power Station) / 15.4210; 38.9222 ( Beleza Oil Power Plant).

Does Eritrea have electricity?

Less than half of the population of Eritrea has access to electricity . Most of the country's electricity generation comes from imported oil.

What are the different types of energy transformation in Eritrea?

One of the most important types of transformation for the energy system is the refining of crude oil into oil products, such as the fuels that power automobiles, ships and planes. No data for Eritrea for 2022. Another important form of transformation is the generation of electricity.

## Vt power station price Eritrea

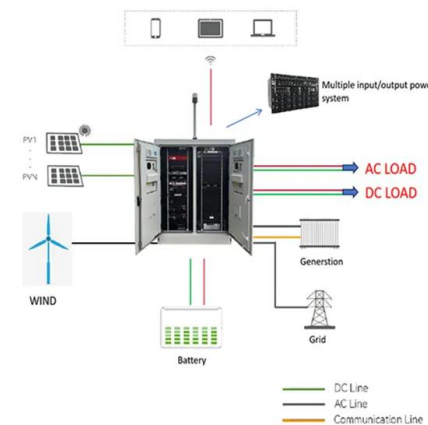


### Eritrea

Includes transmission lines, substations, as well as power stations. Includes existing as well as planned projects. This data is based on a digitized PDF map, and so is intended as a ...

### List of power stations in Eritrea

This article lists all power stations in Eritrea with more than 0.5 MW installed capacity. In addition, smaller stations do exist and small off-grid stations as well. [1]



### **SOUOP UPP-1800 1800W Portable Power Station**

SOUOP UPP-1800 1800W Portable Power Station

### List of power stations in Eritrea

This article lists all power stations in Eritrea with more than 0.5 MW installed capacity. In addition, smaller stations do exist and small off-grid stations as well. [1]

1800W portable power station is a portable power station with larger energy storage capacity. Whether it is high-power equipment at home or high-power equipment working outdoors, it can continue to supply power. El Salvador (USD \$) Equatorial Guinea (XAF Fr) Eritrea (USD \$) Estonia (EUR)

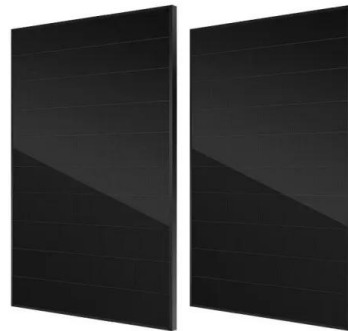


## Where Does Vermont's Electricity Come From?

%PDF-1.6 %âãÓ 1250 0 obj > endobj 1259 0 obj >/Filter/FlateDecode/ID[22EDDD2B3F86A94787D DA93A6105F99A>]/Index[1250 16]/Info 1249 0 R/Length 61/Prev 933023/Root

## V-TAC 600W Portable Power Station

V-TAC VT-606N 600W Portable Power Station in Green 11741 V-TAC Portable Power Stations have a variety of uses and are designed to provide long-lasting power when you need it most. Regular price £307.20 (inc VAT £368.64) Regular price Was -% Unit price / per . Shipping calculated at checkout.



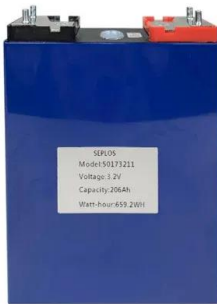
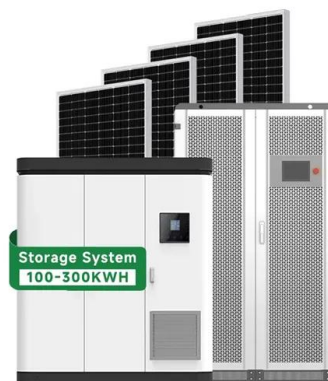
## Eritrea Power Plants

Eritrea Power Plants Last Updated: November 28, 2023 Countries: Eritrea Views: 98. Data for power plants in Eritrea with total installed generating capacity 10 mw from the Platts World Electric Power Plants Database (WEPP 2006). ...



## Best Gas Prices & Local Gas Stations in Newport, VT

Today's best 5 gas stations with the cheapest prices near you, in Newport, VT. GasBuddy provides the most ways to save money on fuel.



## Power Stations

2000/1000-Watt HomePower ONE Lithium-Ion Power Stations (1002Wh Battery Only) from \$629.00 \$999.00. At Geneverse, our goal is to make home energy usage smarter and more self-sustainable in order to empower families and ...

## VT-1001N Portable Power Station 1000W Final

PORTABLE POWER STATION 1000W MODEL SKU INSTRUCTION MANUAL INTRODUCTION MULTI-LANGUAGE MANUAL QR CODE Please scan the QR code to access the manual in multiple languages. VT-1001N 11627, 11742 IN CASE OF ANY QUERY/ISSUE WITH THE PRODUCT, PLEASE REACH OUT TO US AT: SUPPORT@V-TAC





## Investment Opportunities in the Energy Sector of Eritrea.

Producers (IPPs) and Independent Power Distributors (IPDs) are encouraged to invest in the required infrastructures. The Government will soon establish an Electricity Regulatory Board ...

### SunVoyage

Renogy 48V 50Ah Smart Lithium Iron Phosphate Battery Sale price From \$1,085.59 Regular price \$1,699.99 Pytes PYTES V5 LITHIUM-ION LIFEPO4 48V BATTERY 100A REMOTE MONITORING Sale price \$1,750.00



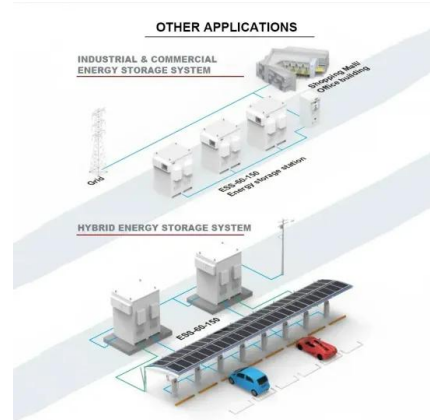
### SOUOP UPP-1800 1800W Portable Power Station

SOUOP UPP-1800 1800W Portable Power Station 1800W portable power station is a portable power station with larger energy storage capacity. Whether it is high-power equipment at home or high-power equipment working outdoors, it can ...

### ACOPOWER 193Wh Portable Power Station

ACOPOWER 193Wh Portable Power Station, Rechargeable Multifunction Backup Battery with 12-24V/5A DC Output, 5V/3A USB Output, 5-20V/3A TYPE-C Output, and 18W QC 3.0 Output Vanuatu (VUV Vt) Vatican City (EUR EUR)

Venezuela (USD \$) Vietnam (VND ?) Wallis & Futuna (XPF Regular price \$ 228.00 . Sale price \$ 228.00 Regular price \$ 228.00 .



## STATE OF VERMONT PUBLIC SERVICE BOARD

Vermont Yankee Nuclear Power Station and ) Related Transactions ) MEMORANDUM OF UNDERSTANDING AMONG ENTERGY NUCLEAR VERMONT YANKEE, LLC, VERMONT YANKEE NUCLEAR POWER CORPORATION, The Strike Price is \$61.00 escalated annually on March 13, 2013 and each March 13 thereafter based on the following Escalation Factors:

## AlphaESS VitaPower VT1000 Balcony Solar System, Portable Power Station ...

Portable Power Station. E-SHOP. UN. CN. DE. UK. IT. ANZ. US. JP. SA. Contact Us: info@alpha-ess . VitaPower VT1000. 1kW Output. 1.024 kWh Capacity. VitaPower is an all-in-one home battery solution that can expand up to 6144Wh, supporting both on-grid and off-grid use. Get ready to revolutionize your home energy management with VitaPower! Buy



## Eritrea

Saudi Arabia, Kuwait, and the United Arab Emirates (UAE) have funded the construction of an 84-megawatt power station, and the



European Development Bank has pledged a loan for the restoration of war-damaged power infrastructure. Eritrea has a limited oil production (0.55 million tons in 1998), but its main refinery is closed and thus it must

## Eritrea Portable Lithium Power Station Market (2024)

Eritrea Portable Lithium Power Station Market is expected to grow during 2023-2029 Eritrea Portable Lithium Power Station Market (2024 - 2029) , Trends, Outlook & Forecast Toggle navigation



## Eritrea

Thermal power plants generate electricity by harnessing the heat of burning fuels or nuclear reactions - during which up to half of their energy content is lost. Renewable power sources generate electricity directly from natural forces

...

## Eritrea

A significant government investment at Hirghigo electricity project is expected to address the power supply problem by increasing power generation by 41.2 % to 136 Megawatts Source:

...



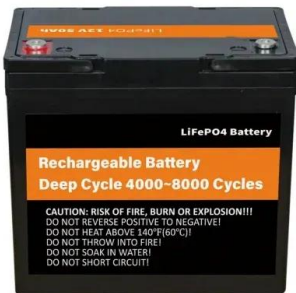


## USB Power Station , M/Power , Humanscale

M/Power Charging Hub is a USB Type-A and Type-C power station featuring five easily accessible ports, including two for high-speed charging. It provides audio pass-through and can be used alone or integrated with any Humanscale monitor arm.

### V-tac VT-606N Power station 600W

V-tac VT-303 Power station 300W - draagbaar en oplaadbare generator - 14,8V - 20Ah Lithium batterij EUR 221,00 V-tac VT-606 Power station 500W - draagbaar en oplaadbare generator - 26.2Ah/21.6V



## portable power station solar generator-VTOMAN Official

VTOMAN solar power stations rely on unique V-beyond technology and exclusive LifeBMS battery management system to have unprecedented safety performance. with indicators and charging ports, offering strong additional power in more portable manner and at more favorable price. VTOMAN FLashSpeed 1500W/3096Wh 400W Solar Generator. \$1,799.00

### List\_of\_power\_stations\_in\_Eritrea

This article lists all power stations in Eritrea with more than 0.5 MW installed capacity. In addition, smaller stations do exist and small off-grid stations as well. In addition, smaller stations do

exist and small off-grid stations as well.

### Applications



### Ryegate Power Station

Other Power Plants Nearby. Mcindoes Mcindoes Station Drive, Barnet, VT - 3.2 miles. Boltonville Hydro Associates Whitelaw Road, Newbury, VT - 3.5 miles. Boltonville Hydro Power Plant Mill Street, Newbury, VT - 4.2 miles. East Barnet Cannon Lane, Barnet, VT - 7.9 miles. West Danville 15 Power Plant Road, Danville, VT - 14.8 miles. West Danville

### List of power stations in Eritrea

This article lists all power stations in Eritrea with more than 0.5 MW installed capacity. In addition, smaller stations do exist and small off-grid stations as well.



### List Of Power Stations In Eritrea

This article lists all power stations in Eritrea with more than 0.5 MW installed capacity. In addition, smaller stations do exist and small off-grid stations as well. [1] Wind. Power station Community Coordinates Turbines Installed Capacity Completed Owner Assab wind farm Assab:



### List of power stations in Eritrea

This article lists all power stations in Eritrea with more than 0.5 MW installed capacity. In addition, smaller stations do exist and small off-grid stations as well. [1] Wind. Power station Community Coordinates Turbines Installed Capacity Completed Owner Assab wind farm



### **P5000 Portable Power Station 5120Wh/2200W - ACOPOWER**

Massive 5120Wh Capacity - Longer-lasting Power Supply. Powerful 2200W AC Pure Sine Wave Inverter - Handle High-power Devices with Ease. Lightning-fast 1800W AC Input - Quickest Recharge in the Industry. 1400w Uninterruptible Power Supply in Emergencies. Solar Input up to 1000W - Recharge from the Sun for Sustainable En

## **Contact Us**

For catalog requests, pricing, or partnerships, please visit:  
<https://bialydom.kolobrzeg.pl>