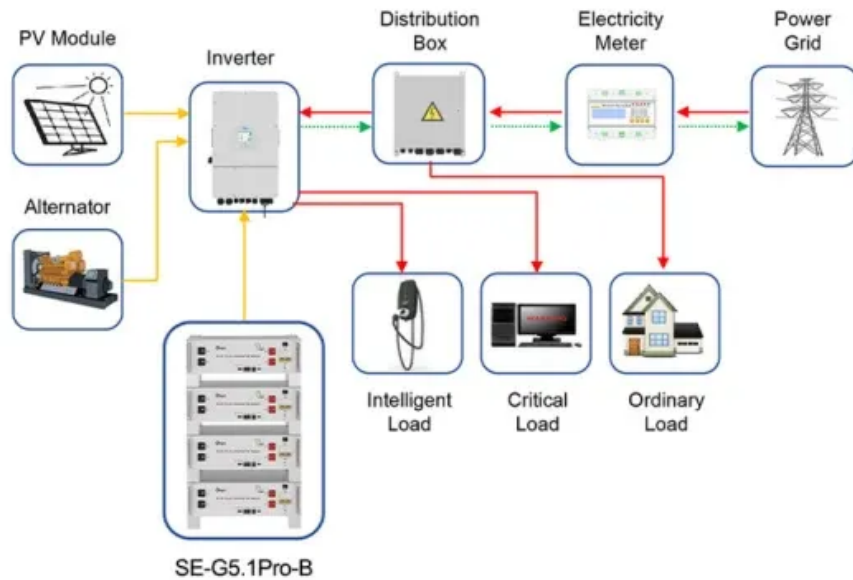


## European Solar Energy Storage

# Turnkey containerized solar quotation in Brazil 2030



Application scenarios of energy storage battery products



## Turnkey containerized solar quotation in Brazil 2030

---

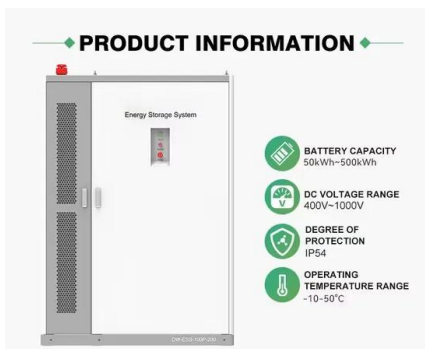


### Solar Photovoltaic Energy in Brazil

Distributed microgeneration (up to 75 kW) and minigeneration (above 75 kW up to 5 MW) solar PV systems installed at homes, commercial buildings, industries, rural properties and public ...

### 2030 Brazil Roadmap

Brazil hosts e-bus chassis and battery manufacturing capacity, but e-bus orders in Brazil remain negligible to date, even by regional standards. There are around 48 battery e-buses in ...



### **Brazil Renewable Energy Market Size and Forecasts 2030**

The Brazil Renewable Energy Market is projected to grow at a compound annual growth rate (CAGR) of approximately 9% to 12% between 2024 and 2030. Solar and wind ...

### **Brazil Solar Power Market Outlook to 2030**

According to Blackridge Research, the outlook for

solar PV installation remains strong in the medium term, and the market is expected to expand during the forecast period due to ...



## Brazil Containerized Solar Generators Market Size And Outlook ...

According to Verified Market Reports, the Brazil Containerized Solar Generators Market is valued at \$150 Million in 2025 and is projected to reach \$337 Million by 2033.

## Solar Manufacturing in Brazil: Local Sourcing vs. Import

This article examines the strategic trade-offs between local sourcing and importation, providing a clear framework for new investors in Brazil's solar industry.



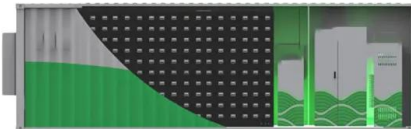
## Investment in photovoltaic energy: An attempt to frame Brazil ...

Projections for substituting fossil fuels with photovoltaic energy in the year 2030 were made and GHG emissions in CO<sub>2</sub>eq were calculated using the IPCC method for Global ...



## Brazil Solar Energy Market Size , Mordor Intelligence

Sicredi will use the funding to establish solar photovoltaic (PV) panels in individual homes, small and medium businesses, and rural properties in Brazil.



## Solar Energy in Brazil: Projection of 3.5 Million Jobs by 2030

Since 2012, solar energy has already generated over 1.4 million direct and indirect jobs in Brazil. This figure is expected to soar to 3.5 million by 2030, covering technical roles ...

## Contact Us

---

For catalog requests, pricing, or partnerships, please visit:  
<https://bialydom.kolobrzeg.pl>