

European Solar Energy Storage

Top ten solar company in world Denmark



Overview

This report lists the top Denmark Solar Energy companies based on the 2023 & 2024 market share reports. Mordor Intelligence expert advisors conducted extensive research and identified these brands to be the leaders in the Denmark Solar Energy industry.

This report lists the top Denmark Solar Energy companies based on the 2023 & 2024 market share reports. Mordor Intelligence expert advisors conducted extensive research and identified these brands to be the leaders in the Denmark Solar Energy industry.

This article will look at the top 10 clean energy manufacturers in Denmark including Vestas, Orsted, Green Hydrogen Systems, Everfuel AS, European Energy, Stiesdal, Danish Renewables, Hybrid Greentech, COWI, Better Energy.

Some of the leading solar companies in Denmark include SolarCity, Solaria, and SolarWorld. These companies have helped Denmark become a leader in renewable energy adoption, with more than 50% of the country's electricity coming from renewable sources.

Top 10 Solar Panel Installers in Denmark : Ørsted: A global leader in renewable energy, Ørsted offers comprehensive solar solutions for residential, commercial, and industrial sectors. They design, install, and maintain solar systems, ensuring maximum efficiency and long-term performance.

Ørsted is a Denmark-based Renewable Energy company that takes achievable action to create a world that runs entirely on Green Energy. Its vision is to create a world of Green Energy. The company develops, constructs, and operates offshore and onshore wind farms and also solar farms, energy storage facilities, bioenergy plants. Who is solar Denmark?

Solar Denmark: With a strong presence in Denmark, Solar Denmark offers expert solar panel installation services for all types of properties. They focus on using high-quality, Danish-made solar panels, supporting local businesses and promoting sustainability.

Does Denmark have solar power?

Almost 44% of electricity in Denmark is supplied from Wind and Solar Power. The installed capacity of Solar PV is said to rise by 2024 with the production of 1,140 MW. There are solar-thermal districts that exist in Denmark and The Danish Energy Agency plans to host 400 MW PV projects in the Nissum Fjord location.

Who owns the energy company in Denmark?

Furthermore, it is owned by the Danish Ministry of Climate, Energy as well as Utilities. The company owns, operates as well as develops the transmission systems of electricity and natural gas in Denmark. Its main purpose is to contribute to the development of a climate-neutral energy supply.

Who is the largest solar panel manufacturer in the world?

In 2018, JinkoSolar shipped a total of 11.4 GW of modules, making it the largest solar panel manufacturer in the world. Visit JinkoSolar. 2. Canadian Solar Canadian Solar is another one of the largest solar panel manufacturers in the world, providing the world's leading solar PV modules and advanced solar energy solutions.

What are the best solar panels in India?

You can also check out the top 10 best solar Panels in India. 1. JinkoSolar JinkoSolar is currently one of the world's largest solar energy companies and top solar panel manufacturers.

Which companies offer high-quality solar panels?

Vestas: Another giant in the renewable energy industry, Vestas provides high-quality solar panel installations for homes and businesses. They focus on using top-tier technology and offer financing options to make solar power accessible. Better Energy: With a focus on customer satisfaction, Better Energy offers personalized solar solutions.

Top ten solar company in world Denmark



Top 10 Solar Inverter Manufacturers Leading the Global

Explore the top 10 solar inverter manufacturers driving global solar growth with high-efficiency, cost-effective solutions. The company is committed to continued R& D for next-generation smart PV systems. For a future-ready inverter brand, Huawei checks all the boxes. Top 10 Solar Inverters in the World - Energy Theory; Top 15 Solar

20 Top Robotics Companies in Denmark · December 2024 , F6S

Detailed info and reviews on 20 top Robotics companies and startups in Denmark in 2024. As a result, the new energy infrastructure is getting larger and more remote every year. For example, only in Denmark, the area dedicated to solar parks is expected to grow 10 times in this decade from 2,800 ha to 24,000 ha. At ROICO we want to make



14 Best Renewable Energy Companies in Denmark

Headquartered in Copenhagen, Denmark, Danish Renewables develops solar and wind energy-focused sustainable energy initiatives. They build photovoltaic facilities all over the world and ...

10 Top Solar Companies in Singapore [Updated 2024]

Website: <https://> Contact: +65 3138 6134 / +65 8779 6122 Email: sales @getsolar.ai Address: 108 Pasir Panjang Road #01-02 Golden Agri Plaza, Singapore 118535 Types of Services: Residential and Commercial 2) 10 Degree Solar. 10 Degree Solar is a team of renewable energy professionals who are committed to changing lives for the ...



Top 10 BIPV Glass Manufacturers in the World 2024

2024-08-23 Top 10 Solar Powered Glass Manufacturers in the World 2024 Solar powered glass is a leading force in renewable energy, following hydropower and wind in global electricity generation. The companies driving this sector are pushing the boundaries of ...

Top 10 Solar Panel Installer Companies in Denmark

Top 10 Solar Panel Installers in Denmark : Ørsted: A global leader in renewable energy, Ørsted offers comprehensive solar solutions for residential, commercial, and industrial sectors. They design, install, and ...



Standard 20ft containers



Standard 40ft containers

Top 10 Solar Panel Installer Companies in Denmark

If you're looking to join the solar revolution in Denmark, choosing the right installer is crucial. This article explores the top 10 solar panel



installer companies in Denmark, helping you make an informed decision. Top 10 Solar Panel Installer Companies in Denmark. Selection Criteria:

Top 10 Solar Panel Installer Companies in Denmark

If you're looking to join the solar revolution in Denmark, choosing the right installer is crucial. This article explores the top 10 solar panel installer companies in Denmark, helping you make an informed decision. Top ...



[20 Top Solar Companies in India](#)

India's solar energy sector is heating up in an effort to meet the company's ambitious goal of deriving 50 percent of its energy from renewable sources by 2030.. Fueled by \$3.2 billion in government incentives, the country is now on track to be the world's second-largest solar manufacturer by 2026. And while there is still an uphill climb to reach its goal of 280 ...

Best Solar Companies In Denmark In 2024

Some of the leading solar companies in Denmark include SolarCity, Solaria, and SolarWorld. These companies have helped Denmark become a leader in renewable energy adoption, with ...



51.2V 300AH



in the World 10 Biggest Renewable Energy Companies

) is a China-based solar power company. It manufactures solar energy products, including silicon ingots and wafers, solar cells, and solar modules. The company also provides solar system integration services. Jinko sells its products to customers in the U.S., Europe, Asia, Africa, and Latin America. 4. Vestas Wind Systems A/S (VWDRY)

Top five solar PV plants in development in Denmark

The 256MW Doral Denmark Solar Power Project is located in Denmark. It is owned by Doral Holding Denmark. The Solar PV project is currently in permitting stage. The commercial operation of the project is expected in 2026. Doral Holding Denmark is developing this project. Buy the profile here. 4. Jylland Solar PV Park II. The Jylland Solar PV



Top 10 Renewable Energy Companies in the World by Market Cap

The world's top renewable energy companies are



playing a vital part in creating a more sustainable future for our planet. From nationwide utility suppliers to residential solar panel

Top 10 Solar Companies in the World by Market Capitalization

...

Top 10 Solar Companies in the World (by Market Cap) NextEra Energy - \$131.17 billion (Florida, USA): The world's largest provider of solar and wind energy solutions.; Adani Green Energy - \$34



10 Biggest Solar Companies

NextEra Energy, First Solar, and Enphase Energy are the top three solar companies, based on market cap. List leader NextEra Energy had a market cap of \$151.19 billion as of June 2024. 1.

List of photovoltaics companies

Monocrystalline solar cell. This is a list of notable photovoltaics (PV) companies. Grid-connected solar photovoltaics (PV) is the fastest growing energy technology in the world, growing from a cumulative installed capacity of 7.7 GW in 2007, to 320 GW in 2016. In 2016, 93% of the global PV cell manufacturing capacity utilizes crystalline silicon (cSi) technology, representing a ...



Top 10 Solar Panel Manufacturers In The World

Aiko Solar - World's highest conversion efficiency for commercial solar panels; LONGi Solar - Has set world records in solar cell efficiency 17 times since April 2021. Jinko Solar - Broke world record in 2023 for highest power output for a large-area N-type monocrystalline silicon solar cell. UKSOL - Local British solar panel manufacturer.

Solar Energy Suppliers In Denmark

Find the top Solar Energy suppliers & manufacturers in Denmark from a list including Advanced Energy Industries, Inc., Energig Aps & Danish Solar Energy Ltd. (DSE) Savosolar is a game changer of solar thermal energy. We provide the world's most efficient energy supply at the lowest energy cost. Solar's growth led the company to



List of largest Danish companies

This list is based on the Forbes Global 2000, which ranks the world's 2,000 largest publicly traded companies. The Forbes list takes into account a multitude of factors, including the revenue, net profit, total assets and market value of each company; each factor is given a weighted rank in terms of importance when

considering the overall ranking. The table below also lists the ...



Top 10: Biggest Renewable Energy Companies

NextEra are the world's largest utility company, built and based in America, they generate more wind and solar energy than any other company in the world. The company has a strong commitment to sustainability and has set ambitious goals to reduce its carbon dioxide emissions, including a target of reducing its carbon dioxide emissions rate by



Solar System Installers in Denmark , PV Companies List , ENF ...

Danish solar panel installers - showing companies in Denmark that undertake solar panel installation, including rooftop and standalone solar systems. 229 installers based in Denmark ...



Top 10: largest renewable energy organisations in the world

The public company is headquartered in California, US, and is tasked with financing solar power product developments, including solar

panels, batteries, mounting equipment, and monitoring solutions. The main message from the company is about saving consumers money and encouraging them to take on its 'hassle-free' approach to the ...

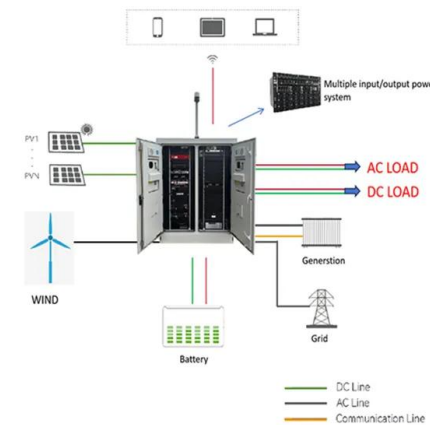


Top 10 Building Integrated Photovoltaics ...

Founded in 1999, a leading solar technology company in America and a global provider of eco-efficient solar modules. The company ranks among the top 10 BIPV manufacturers in the world and is considered unique ...

World`s Top 10 Solar Water Pump Manufacturers and ...

3. Lorentz. LORENTZ has been specializing in off-grid solar water pumping solutions since it was founded in Germany in 1993, and has become the market leader in solar water pumping due to its technological ...



Top 10 Solar Power Stocks to Invest In (July 2024)

Canadian Solar is one of the top 5 of the world's largest solar panel brands, having grown shipments by 30% annually since 2013. In 2022, it shipped 21.1 GW of solar panels and 1.79 GWh of batteries. Its revenues were roughly half from North America and China and half from the rest of the world.

The 10 Largest Solar Companies In The United States

Largest Solar Companies Research Summary The largest solar company in the U.S. is NextEra Energy, with a revenue of \$20.956 billion and an market share of 2.37%. As of 2022, the U.S. solar industry has a market size of \$12 billion. U.S. jobs like Solar Technician will grow by 27% through 2031. The U.S. solar ...



Top 10 global solar developers boast 145GW of PV projects

TotalEnergies was also the top company for under-construction and PPA-contracted capacities with 29.3GW of projects, followed by Brookfield Renewable Partners (13.6GW) and Adani Green Energy (11.1GW).

Solar Energy Suppliers & Manufacturers

Find the top Solar Energy suppliers & manufacturers from a list including Zygo Corporation - AMETEK, Inc, Freewater4u Eu & Advanced Energy Industries, Inc. through ready-made solar power modules. Our Wafers are a synonym for highest quality for the majority of the big solar companies in China the past we have used these synergies



Top 18 Solar Energy Companies in UK: A Comprehensive Guide

Our Lifepo4 batteries can beconnected in parallels and in series for larger capacity and voltage.



Our list of the top 18 solar energy companies in the UK: 1. Solarcentury 2. MakEnergy 3. Oxford Solar PV 4. Lightsource BP 5. we will provide an overview of the top 10 solar energy companies in the UK. 1 Eco Energy World is a global renewable energy company with a strong presence in the UK market. They specialize in developing and

Top 10 Renewable Energy Companies in the World by ...

The world's top renewable energy companies are playing a vital part in creating a more sustainable future for our planet. From nationwide utility suppliers to residential solar panel



World's Largest Roof Top Solar Power Plant To Be Built In Denmark

Top 9 Best Solar Panel Installation Companies of 2024. Among all the solar panel installation companies, SunPower ranked at the top of our list. SunPower is America's oldest solar panel installation company and has some of the highest quality solar panel technology on the market. Which country has the most solar power in the world?

Top Solar Energy Companies in the World , Reports and Data

Top 10 Solar Energy Companies in the World. JinkoSolar Holding Co. Ltd. A Chinese holding company called JinkoSolar creates solar cells, modules, and other solar energy-related

products. By delivered gigawatts (GW), it ranks among the top producers of solar panels worldwide.



Contact Us

For catalog requests, pricing, or partnerships, please visit:
<https://bialydom.kolobrzeg.pl>