

European Solar Energy Storage

Solar sundar Western Sahara



Overview

Can solar energy be used over the Sahara Desert?

Harvesting the globally available solar energy (or even just that over the Sahara) could theoretically meet all humanity's energy needs today (Hu et al., 2016; Li et al., 2018). Large-scale deployment of solar facilities over the world's deserts has been advanced as a feasible option (Komoto et al., 2015).

Could the Sahara be transformed into a solar farm?

In fact, around the world are all located in deserts or dry regions. It might be possible to transform the world's largest desert, the Sahara, into a giant solar farm, capable of meeting the world's current energy demand. Blueprints have been drawn up for projects in and that would supply electricity for millions of households in Europe.

Could large solar farms in the Sahara Desert redistribute solar power?

Large solar farms in the Sahara Desert could redistribute solar power generation potential locally as well as globally through disturbance of large-scale atmospheric teleconnections, according to simulations with an Earth system model.

Can large-scale solar farms influence atmospheric circulation in the Sahara Desert?

Our Earth system model simulations show that the envisioned large-scale solar farms in the Sahara Desert, if covering 20% or more of the area, can significantly influence atmospheric circulation and further induce cloud fraction and RSDS changes (summarized in Fig. 7) across other regions and seasons.

Could teleconnections affect solar farms in the Sahara Desert?

Large-scale photovoltaic solar farms envisioned over the Sahara desert can meet the world's energy demand while increasing regional rainfall and

vegetation cover. However, adverse remote effects resulting from atmospheric teleconnections could offset such regional benefits.

Could a desert be the best place to harvest solar power?

The world's most forbidding deserts could be the best places on Earth for harvesting solar power – the most abundant and clean source of energy we have. Deserts are spacious, relatively flat, rich in – the raw material for the semiconductors from which solar cells are made — and never short of sunlight.

Solar sundar Western Sahara



What if the Sahara Desert Was Covered With Solar Panels?

Covering just 1.2% of the Sahara with solar panels could generate enough electricity to power the entire world. Transforming the Sahara into a renewable energy ...

Western Sahara Resource Watch

OCP owns Phosboucraa, which exploits the phosphate reserves of occupied Western Sahara; Acwa Power intends to construct two wind farms in the territory, each of 100 MW on a total land base of 10,341 ha. Acwa has previously installed two solar plants in the territory: the 85 MW plant in El Aaiún and 20 MW plant in Boujdour;



Western Sahara dispute dims Morocco's solar hopes ...

A Moroccan solar project worth some EUR6.6 billion aimed at turning desert sun into lucrative power exports to Europe could be at risk as international lenders balk at plants planned for the



Harnessing Solar and Wind Power Potential in Western Sahara

The region's solar potential is immense, with an average of 3,000 hours of sunshine per year and solar radiation levels reaching up to 2,500 kWh/m² annually. This ...



Solar power farming in Western Sahara :

r/WesternSahara

I've never been to WS (or anywhere in Africa), but I've been reading a lot about the history of North Africa recently, and exploring the Sahel...

204KW On-Grid Solar Solution

204KW On-Grid Solar Solution - Sundar Industrial Estate, Lahore by Purewave Energy. Purewave Energy has successfully installed an 204KW On-Grid Solar Solution



Western Sahara Resource Watch

The 8 GW production project will be underpinned by 10 GW of wind and 7 GW of solar power. Earlier this month, Western Sahara Resource Watch (WSRW) reported that the Moroccan government had announced a string of renewable projects in occupied Western Sahara in its 2024 Finance Bill, including what was described as the Falcon project to which the

What if the Sahara Desert Was Covered With Solar Panels?

Fenice Energy aims to lead in using the Sahara's solar power. They want to help shift the world towards more renewable energy. They believe in sustainable power for a sustainable future. Impacts of Saharan Solar Farms. Covering the Sahara Desert with solar panels sounds great for clean power. But, big solar farms could change local and global



Harnessing Solar Power in the Sahara Desert , African Sahara

Solar power in the Sahara Desert can bring economic growth, job opportunities, and environmental benefits such as reduced carbon emissions and water conservation. The future ...

Out of Africa: Saharan Solar Energy

But a relatively well-developed technology exists, which proponents say could turn the Sahara's heat and sunlight into a major source of electricity - Concentrating Solar Power (CSP), Unlike solar panels, which convert sunlight directly into electricity, CSP utilises mirrors which focus light on water pipes or boilers to produce very hot



Here Comes the Money: Solar Power and Self-Determination in Western Sahara

The HSBC ads at Newark International Airport



could not have been more appropriate for my trek to the Sahrawi refugee camps in Tindouf, Algeria. As I ambled through the jet bridge with my carry-on, color-coordinated images of demure North African women met my eyes, accompanied by some facts assembled by the bank--"0.3% of Saharan solar energy ...

Out of Africa Solar Energy From The Sahara Reading Answers

The IELTS Reading consists of different types of questions which have to be answered in an hour. The Reading Passage, "Out of Africa Solar Energy From The Sahara", is a passage that appeared in the IELTS Reading Exam. Try to find the answers to get an idea of the difficulty level of the passages in the actual reading test. Here are the question types in the ...



Solar panels in Sahara could boost renewable energy ...

Researchers imagine it might be possible to transform the world's largest desert, the Sahara, into a giant solar farm, capable of meeting four times the world's current energy demand.

Solar (@sundar_solar_tz) o Instagram photos and videos

4,820 Followers, 5,929 Following, 2,906 Posts - Solar (@sundar_solar_tz) on Instagram: "WAUZAJI NA WAFUNGAJI SOLAR MAJUMBANI N.K KWA GHARAMA NAFUU PIGA SIMU TUKULETEE CHAP

KARIAKOO DAR +255 684 943 062 ?+255 712
 082 915 KARIBU SANA" 4,820 Followers, 5,929
 Following, 2,906 Posts - Solar (@sundar_solar_tz)
 on Instagram: ...



SUNDA Solar GmbH , Schlächtern, Germany

Der Name SUNDA Solar GmbH steht seit vielen Jahren für Spitzentechnologie in der Solarthermie. Die Hochleistungs-Vakuumröhren-Kollektoren der SEIDO Serie, sind entwickelt für optimale Leistung und Langlebigkeit. Die SUNDA Solar GmbH macht den Vertrieb exklusiv in Deutschland und in andere europäische Länder.

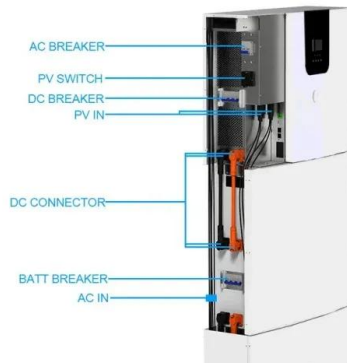
Large-scale photovoltaic solar farms in the Sahara affect solar ...

We aim to quantify the impacts of a large-scale deployment of photovoltaic solar farms in the Sahara on global solar power generation as a pilot case study, and investigate the ...



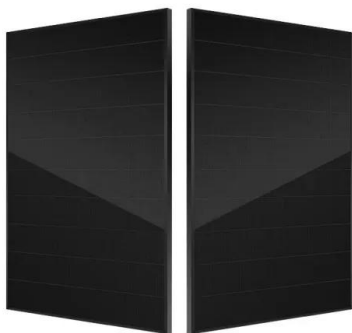
Large-scale photovoltaic solar farms in the Sahara affect solar ...

Large solar farms in the Sahara Desert could redistribute solar power generation potential locally as well as globally through disturbance of large-scale atmospheric teleconnections, according to



France announces new investments in disputed Western Sahara

A French delegation visiting Morocco with President Emmanuel Macron on Tuesday unveiled investment plans in the disputed Western Sahara as part of a broader suite of agreements and partnerships between the two countries.. Projects in Dakhla and the Guelmim-Oued Noun region are among the 10 billion euros (\$10.8 billion) worth of initiatives announced ...



Sahara: Wie Solar

Die Sahara ist perfekt für den Bau von Solar- und Windkraftanlagen geeignet. Nun zeigt eine Studie: Solche Projekte bringen dort sogar mehr Regen als gedacht. Realistisch ist das Szenario aber

Here Comes the Money: Solar Power and Self ...

The HSBC ads at Newark International Airport could not have been more appropriate for my trek to the Sahrawi refugee camps in Tindouf, Algeria. As I ambled through the jet bridge with

my carry-on, color-coordinated ...



Eclipses in Western Sahara

Next Total Solar Eclipse. Apr 21, 2088. 63 years. 205 days. All Eclipses and Transits in Western Sahara. Eclipses Visible from Western Sahara Visibility Worldwide; Mar 14, 2025 Total Lunar Eclipse Upcoming. Total Lunar Eclipse Mar 29, 2025 ...



Harvesting Solar Power in the Sahara , African Sahara

Developing solar power in the Sahara could transform the region into a renewable energy hub, contributing to global efforts to reduce carbon emissions and mitigate climate change. This ...



Harnessing the Sun: Sahara's Solar Farms , African Sahara

The Sahara Desert is renowned for its expansive terrain and abundant sunlight, making it an optimal location for solar energy production. Receiving an average of 3,600 hours of sunlight ...



Tanzania SolarExpo

With as much as 100+ exhibitors spread out over a 5,000 square mts. of exhibition space, the 09th Solar Africa - Solar Exhibition In Tanzania 2025 offers a nearly 60% increase in size from last year. More than 100+ exhibitors will be comfortably accommodated at the venue with a special showcase of the open display of machinery.

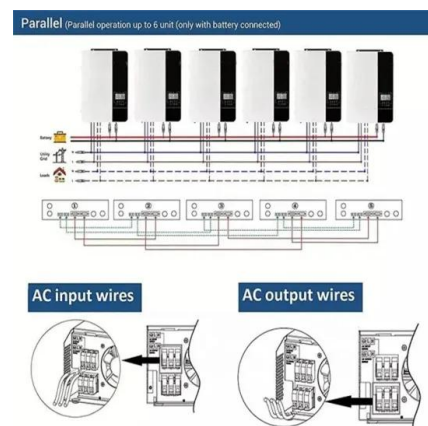


Review Solar Home Systems: A comprehensive literature review ...

The aim of this paper was to conduct a comprehensive literature review on SHSs in Sub-Saharan Africa (SSA). The novelty of this paper stems from utilising four themes: institutional, technology, viability and user-centric to categorise these publications and thereby build on the work of Schillebeeckx et al. (2012). Through a review of 139 papers across three ...

Western Sahara Resource Watch

Western Sahara Resource Watch has today launched a report detailing how Morocco intends to build over 1000 MW (megawatts) of renewable energy plants in Western Sahara, a territory that Morocco partially occupies.



Western Sahara Resource Watch

Photo: "Allah, the Country, the King". Moroccan propaganda on a cliff near Dakhla, occupied



Western Sahara. By @ElliLorz. A team of Moroccan scientists last month published a study in the International Journal of Hydrogen Energy showing that "combining photovoltaic panels and wind turbines helps produce low-cost hydrogen in Morocco, especially ...

Morocco Eyes 1.6 GW Renewables with \$1.95 Billion

The renewable resource projects are being applied in the contested Western Sahara area. The RE capacity represents concerning 36 percent of the complete capacity which is currently being set up in Morocco. 20% solar, 20% wind, and also 12% hydro power. British firm Xlinks is establishing a 10.5 GW solar-plus-wind project, combined with a



Impacts of Large-Scale Sahara Solar Farms on Global ...

It is proposed that massive solar farms in the Sahara desert (e.g., 20% coverage) can produce energy enough for the world's consumption, and at the same time more rainfall and the recovery of vegetation in the desert.

Green Colonialism In Western Sahara

The case of Western Sahara is clear: two-thirds of the territory has been occupied by the Moroccan army since 1975, and now Morocco's main tool to continue the occupation has become the green transition. Thus, the mine receives

90% of the electricity consumption from solar and wind power plants. Renewable energy. Since 2017, the Moroccan



Morocco to launch largest solar and wind power project in Western Sahara

Morocco is set to embark on its most ambitious renewable energy project to date, with plans to establish a massive solar and wind power installation in the Western Sahara Desert.. The energy generated will supply Casablanca, Morocco's largest city, via an extensive 1,400-kilometer electricity transmission network.The project is scheduled to begin in January ...

Contact Us

For catalog requests, pricing, or partnerships, please visit:
<https://bialydom.kolobrzeg.pl>