

## European Solar Energy Storage

# Rare photovoltaic energy storage system new quotation



## Rare photovoltaic energy storage system new quotation

---



### Solar, Wind, Gas (LPG, Hydrogen) and Other Renewable Energy Tenders

Then contact the relevant persons listed in the document to submit your Solar, Wind, Gas (LPG, Hydrogen) and Other Renewable Energy tender. Do you have a Solar, Wind, Gas (LPG, ...

### Solar power generation and energy storage quotation

The objective of this project proposal is to design and install a Thermal Energy Storage (TES) system at the Solar Thermal Power generation facility at the USF Clean Energy Research



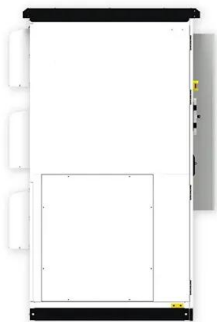
### Key factors impacting energy storage pricing to ...

Anza published its inaugural quarterly Energy Storage Pricing Insights Report this week to provide an overview of median list-price trends for battery energy storage systems based on recent data available ...

### CUSTOMIZED ENERGY STORAGE SYSTEM FIELD QUOTATION

Solar energy storage is primarily achieved through three methods: battery storage, thermal storage, and mechanical storage.. Solar photovoltaic energy storage operates through a

...



## Rare energy storage systems are in sufficient supply

Why is energy storage important in electrical power engineering? Various application domains are considered. Energy storage is one of the hot points of research in electrical power engineering

...

## Solar Photovoltaic System Cost Benchmarks

The U.S. Department of Energy's solar office and its national laboratory partners analyze cost data for U.S. solar photovoltaic systems to develop cost benchmarks to measure progress towards goals and guide research ...



## Quality Photovoltaic Energy Storage System Quotation Table: ...

A quality photovoltaic energy storage system quotation table isn't just numbers on paper - it's the Rosetta Stone for your renewable energy investment. Let's crack the code together.

## New quotation of simple photovoltaic energy storage system

For photovoltaic (PV) systems to become fully integrated into networks, efficient and cost-effective energy storage systems must be utilized together with intelligent demand side management.



## Rare Energy Storage System Project

When you're looking for the latest and most efficient Rare Energy Storage System Project for your PV project, our website offers a comprehensive selection of cutting-edge products designed to ...

## Rare photovoltaic energy storage system spot

Rare photovoltaic energy storage system spot Abstract. Decarbonisation plans across the globe require zero-carbon energy sources to be widely deployed by 2050 or 2060. Solar energy is ...



## photovoltaic energy storage project quotation

By interacting with our online customer service, you'll gain a deep understanding of the various photovoltaic energy storage project quotation featured in our extensive catalog, such as high ...



## Rare photovoltaic energy storage system new quotation

A new report by the French Environment and Energy Management Agency (Ademe) shows that rare earth minerals are not widely used in solar energy and battery storage technologies.



## New Quotes for Special Photovoltaic Energy Storage Systems

The hybrid energy storage combinations used in PV and wind systems are presented, detailing their advantages in terms of short-term and long-term energy storage, energy capacity, system ...



## rare photovoltaic energy storage system price

Pricing-based shared energy storage optimization for residential users with photovoltaic generation system In this paper, we investigate a problem of optimal capacities of energy ...



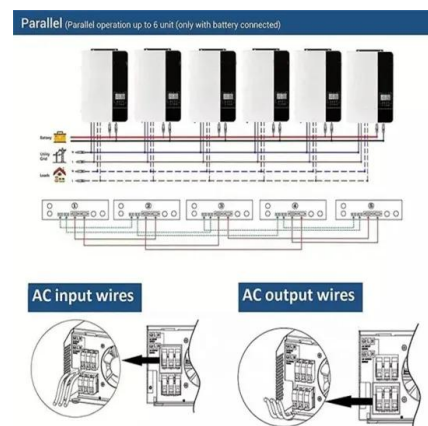


## Photovoltaic Energy Storage Quotation Breakdown: Costs, ...

With recent bids hitting record lows of \$0.064/Wh in utility-scale projects, understanding current pricing structures isn't just helpful - it's essential for anyone considering renewable energy ...

## Average price of rare photovoltaic energy storage system

U.S. Solar Photovoltaic System and Energy Storage Cost Benchmarks, With Minimum Sustainable Price Analysis: Q1 2022 disaggregate photovoltaic (PV) and energy storage ...



## New Quotes About Photovoltaic Energy Storage Systems

Solar energy harvesting, especially photovoltaic (PV) systems, are attracting ever-increasing attention because of the abundance of renewable solar energy. However, the unstable and ...

## New Quotes for Photovoltaic Energy Storage Systems

With the rapid development of renewable energy, photovoltaic energy storage systems (PV-ESS) play an important role in improving energy efficiency, ensuring grid stability



## Rare photovoltaic energy storage system

Is solar photovoltaic technology a viable option for energy storage? In recent years, solar photovoltaic technology has experienced significant advances in both materials and ...



## Rare Energy Storage System Project

About Rare Energy Storage System Project As the photovoltaic (PV) industry continues to evolve, advancements in Rare Energy Storage System Project have become critical to optimizing the ...



## Rare energy storage systems are in sufficient supply

Review on photovoltaic with battery energy storage system for ... Building energy consumption occupies about 33 % of the total global energy consumption. The PV systems combined with ...



## New quotation of special photovoltaic energy storage system

When you're looking for the latest and most efficient New quotation of special photovoltaic energy storage system for your PV project, our website offers a comprehensive selection of cutting ...



## New Quotes for Photovoltaic Energy Storage Systems

Delve into the future of green energy with solar energy storage systems, including their incredible benefits and innovative technologies. In the United States, states

## Vilnius energy storage power supply quotation

The storage units will connect to substations in ?iauliai, Alytus, Utena and Vilnius, the capital where the construction was announced yesterday. They will enable the Photovoltaic (PV) ...

TAX FREE

**Product Model**  
 HJ-ESS-215A(100KW/215KWh)  
 HJ-ESS-115A(50KW 115KWh)

**Dimensions**  
 1600\*1280\*2200mm  
 1600\*1200\*2000mm

**Rated Battery Capacity**  
 215KWH/115KWH

**Battery Cooling Method**  
 Air Cooled/Liquid Cooled



## ENERGY STORAGE SYSTEM QUOTATION DETAILED LIST

What are battery storage systems? Battery storage systems will play an increasingly pivotal role between green energy supplies and responding to electricity demands. Battery storage, or ...



## Photovoltaic energy storage quotation query

The worldwide appeal has increased for the development of new technologies that allow the use of green energy. In this category, photovoltaic energy (PV) stands out, This paper considers ...



## Green Photovoltaic Energy Storage System Quotes: A ...

New systems predict weather patterns and energy prices 72 hours out, automatically adjusting storage strategies. It's like having a Wall Street trader managing your electrons.

## New Quotes for Photovoltaic Energy Storage Systems: What You ...

If your last photovoltaic energy storage system quote came with a side of sticker shock, you'll want to sit down for this. The market's shifting faster than sand in a desert storm, with new ...



## Contact Us

---

For catalog requests, pricing, or partnerships, please visit:  
<https://bialydom.kolobrzeg.pl>