

European Solar Energy Storage

Ranking of hydrogen energy storage materials companies



智慧能源储能系统
Intelligent energy storage system



Overview

This market report lists the top Global Hydrogen Storage companies based on the 2023 & 2024 market share reports. DBMR Analyst after extensive analysis have determined these companies as leaders in the Global Hydrogen Storage market based of brand shares.

This market report lists the top Global Hydrogen Storage companies based on the 2023 & 2024 market share reports. DBMR Analyst after extensive analysis have determined these companies as leaders in the Global Hydrogen Storage market based of brand shares.

This article examines the Top 10 Companies in the Hydrogen Storing Alloy Sector —industry leaders advancing materials science to support the global hydrogen economy. □□ 10. AMETEK Specialty Metal Products AMETEK's Specialty Metal Products division produces precision-engineered hydrogen storage.

Explore an in-depth overview of the hydrogen energy storage landscape, spotlighting the industry's most influential companies and pivotal market trends. Uncover how these top players are advancing technology, improving grid reliability, and driving decarbonization. For a thorough competitive.

GKN Hydrogen is dedicated to combating climate change by providing innovative and safe hydrogen storage solutions. They specialize in long-term storage systems that effectively store green hydrogen derived from renewable energy sources like solar, wind, and hydro, ensuring sustainability and.

Discover 10 hand-picked hydrogen storage companies and startups to watch in 2025 in this report & learn what their solutions have in store for your business! Reignite Growth Despite the Global Slowdown The hydrogen storage sector is experiencing significant growth, driven by advances in storage.

In 2021, the global hydrogen energy storage market was valued at \$14.69 billion, and it's expected to grow and reach \$21.64 billion by 2030. The market is expected to increase at an approximate CAGR of 4.4% during the forecasted period. Global Hydrogen Energy Storage Market Size during

2021-2030.

Understanding the top hydrogen storage tank manufacturers is crucial as we transition to sustainable solutions. Discovering the best options can lead to safer, more efficient energy storage. Dive in to explore the leading factories and make informed choices for a greener tomorrow! Product Details:. What is hydrogen energy technology?

3. Hydrogen Energy Technology Co., Ltd. China-based Hydrogen Energy Technology tackles hydrogen storage safety, cost, and energy issues by using aromatic heterocycles as carriers for reversible hydrogen storage and release.

Is hydrogen energy storage a viable alternative to fossil fuels?

Hydrogen storage is not limited by region and can transfer limited renewable generation into other energy-intensive sectors. High capital cost of the liquid — Hydrogen energy storage is more costly than fossil fuel. The majority of these hydrogen storage technologies are in the early development stages.

Which industries use hydrogen technology?

Various industrial applications such as glass, fertilizer, metal refining, and chemical manufacturing employ Hydrogen technology. This is because all of these businesses have an urgent need to reduce their carbon footprints as a result of environmental regulations and customer preferences.

Does GKN hydrogen sell metal hydride in Japan?

GKN Hydrogen and Mitsubishi Corporation Technos signed a MoU On December 4, 2023, in Tokyo, Japan. This partnership aims to market GKN Hydrogen's metal hydride solutions in Japan.

Which Refueler is best for transitional hydrogen re fueling?

Its Nomad-H Mobile Refueler is another innovative product designed for transitional hydrogen refueling. It can adapt to various fuel profiles and provide high-yield vehicle dispensing. GKN Hydrogen and ZYNP signed a Memorandum of Understanding (MoU) on June 11, 2024.

What can hydrogen be used for?

The stored hydrogen can be used to generate electricity or in other energy-

intensive sectors such as the gas grid, transportation as a fuel, and industrial activities. Hydrogen storage is not limited by region and can transfer limited renewable generation into other energy-intensive sectors.

Ranking of hydrogen energy storage materials companies



Ranking of hydrogen storage companies in germany

Gasunie and Stora Etzel have joined forces for an H2 storage project. The hydrogen storage project unveiled by the two companies will reportedly be located in Lower Saxony, Germany, ...

10 Hydrogen Energy Storage Companies and Startups

Are you curious about the future of clean energy? Understanding the top hydrogen storage tank manufacturers is crucial as we transition to sustainable



Top 5 Companies Leading the Global Hydrogen Economy

Explore the top 5 companies leading the global hydrogen economy. Discover market trends, key players, challenges, and growth opportunities driving the hydrogen revolution.

Hydrogen storage tank manufacturers ranking

What is a hydrogen storage system? In

summary, this hydrogen storage system combines technological innovation, material efficiency, and enhanced safety features to deliver a superior ...



Global energy storage materials company ranking

The investment seeks to track the investment results of STOXX Global Energy Storage and Materials Index. The index measures the performance of equity securities of companies ...

North American Hydrogen Energy Stocks Investment Guide: ...

As the world transitions to green energy, hydrogen is gaining significant attention as a zero-carbon clean energy source. It can be produced through water electrolysis ...

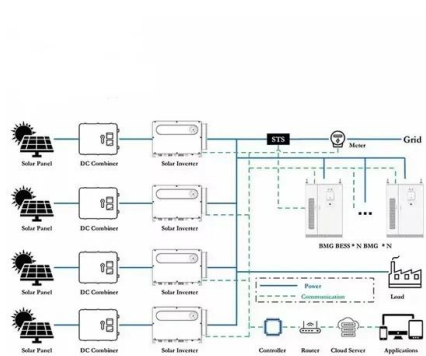


Hydrogen energy storage company ranking

Hydrogen is a versatile energy storage medium with significant potential for integration into the modernized grid. Advanced materials for hydrogen energy storage technologies including ...

North American Hydrogen Energy Stocks ...

As the world transitions to green energy, hydrogen is gaining significant attention as a zero-carbon clean energy source. It can be produced through water electrolysis (green hydrogen) or with carbon ...



world hydrogen energy storage ranking

Comparison of the performance of compressed-air and hydrogen energy storage. Hydrogen is seen as the most promising alternative to conventional energy carriers ...

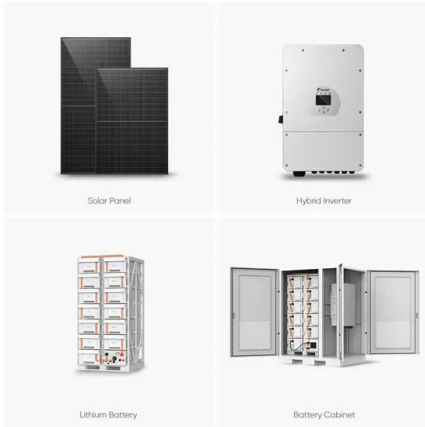
21 Hydrogen Tank Manufacturers in 2025

21 Hydrogen Tank Manufacturers in 2025 This section provides an overview for hydrogen tanks as well as their applications and principles. Also, please take a look at the list of 21 hydrogen ...



Energy Storage Industry Ranking: Who's Leading the Charge in ...

Top Players in the Energy Storage Industry Now, let's talk rockstars of the energy storage ranking. If this were a music chart, these companies would be dominating the ...



Top 10 Hydrogen Energy Storage Companies Shaping the ...

Explore an in-depth overview of the hydrogen energy storage landscape, spotlighting the industry's most influential companies and pivotal market trends. Uncover how these top players ...

TAX FREE

ENERGY STORAGE SYSTEM

Product Model
 HJ-ESS-215A(100KW/215KWh)
 HJ-ESS-115A(50KW 115KWh)

Dimensions
 1600*1280*2200mm
 1600*1200*2000mm

Rated Battery Capacity
 215KWH/115KWH

Battery Cooling Method
 Air Cooled/Liquid Cooled



Top 100 Hydrogen Storage Companies in 2025 , ensun

Solid-state storage utilizes materials that can absorb and release hydrogen, providing a safer and more compact means of storage. Each method has its own advantages and challenges, ...

Top 10 Hydrogen Storage Companies Transforming Energy

The top 10 hydrogen energy storage companies and start-ups offer a wide range of solutions for a clean and sustainable tomorrow. Those companies investing in hydrogen ...



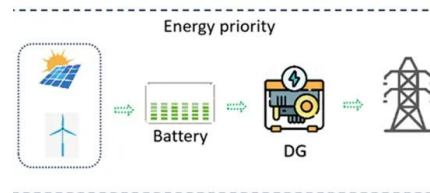


Hydrogen energy storage company ranking

Which countries are responsible for hydrogen energy storage? Major countries such as Russia, Spain, Germany, Italy, UK, and smaller Eastern and Central European countries make up ...

The Top 10 Battery and Storage Companies

Unveiling the Top 10 Largest Solar Farms in the World Where the world's energy consumption and generation patterns are intermittent, the need for companies to provide cutting-edge storage ...



Top 10 Companies in the Global Hydrogen Storing Alloy Market ...

This article examines the Top 10 Companies in the Hydrogen Storing Alloy Sector --industry leaders advancing materials science to support the global hydrogen economy.

China Hydrogen Energy Enterprise Ranking 2023

Hydrogen storage companies mainly have four methods of storing and transporting hydrogen: high-pressure gaseous hydrogen storage, low-temperature liquid ...



Top 10 global energy storage battery cells by total shipment volume

This article will take you through the ranking of the top 10 global energy storage battery cells in terms of total shipments, provide you with a detailed explanation.

6 Hydrogen Storage Alloy Manufacturers in 2025

6 Hydrogen Storage Alloy Manufacturers in 2025
 This section provides an overview for hydrogen storage alloys as well as their applications and principles. Also, please take a look at the list of ...



Top 10 Hydrogen Energy Storage Companies Leading the Clean ...

Let's face it: storing hydrogen energy is like trying to bottle sunshine - tricky but wildly rewarding. As the world shifts toward green energy, hydrogen storage has become the holy grail for ...

Global Top 10 Hydrogen Fuel Cell Companies ...

Here are the top 10 hydrogen fuel cell companies offering hydrogen and fuel cell technologies for fuel cell vehicles and other clean hydrogen applications.



Hydrogen Energy Storage Market

[210 Pages Report] Hydrogen Energy Storage Market size, analysis, trends, & forecasts. The global market for hydrogen energy storage categorized by Form, Technology, Application, End User and Geography.

Hydrogen Energy Storage Charging Pile Manufacturers Ranking

The latest ranking of energy storage charging pile manufacturers The latest ranking of energy storage charging pile manufacturers. Top 10 Chinese charging pile manufacturers . ETN ...



Global Hydrogen Storage Market Companies

This market report lists the top Global Hydrogen Storage companies based on the 2023 & 2024 market share reports. DBMR Analyst after extensive analysis have determined these ...



Top Companies in Hydrogen Energy Storage (Jul, 2025)

Discover the top emerging companies in the Hydrogen Energy Storage Startups, their funding activity, key investors, company highlights, and growth stages



Top 10 Energy Storage Companies in 2025

Discover the top 10 energy storage companies of 2025, driving clean energy with BESS solutions, grid stability, and global renewable integration.

Contact Us

For catalog requests, pricing, or partnerships, please visit:
<https://bialydom.kolobrzeg.pl>