

European Solar Energy Storage

Production solar panels Mayotte

Lithium Solar Generator: \$150



Production solar panels Mayotte



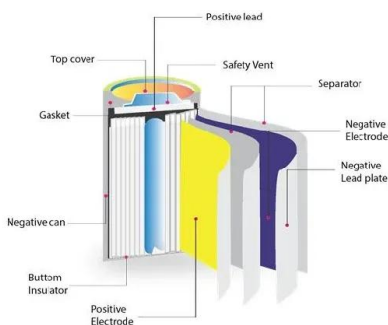
Inside a Solar Panel Factory: The Mass Production Process

Explore the fascinating process behind the mass production of solar panels! From raw materials like silicon to the final product, this video takes you inside

France Solar Production Report

There is no specific data on the overhead costs of solar panel production in France, but generally in more developed countries, overhead costs range from 25-35 % of the total production cost, with Electricité de Mayotte responsible for energy production and distribution in Mayotte. 25; Renewable Energy. Grid-connected solar: Around 96 GW

Lithium Solar Generator: \$150



How Much Energy Does A Solar Panel Produce? - Forbes Home

Among these types are monocrystalline, polycrystalline and thin-film panels, each distinguished by specific characteristics that influence their energy production. Monocrystalline solar panels are

How Many Solar Panels Do I Need to Power My Home?

From here, you'll need to know the wattage of

the solar panels being used. Most residential solar panels will range from 250-400 watts, with higher wattages being more efficient but also typically more expensive. In general, for a home that uses around 1,000 kilowatt-hours per month, you can expect to need anywhere from 18-28 solar panels.



Steps and layout of solar module manufacturing process

ECOPROGETTI PRODUCTION LINES OF 20, 45, 70 AND 100 MW. Our production lines are designed to meet the highest standards of quality in the photovoltaic industry. The proposed solutions include 4 different lines, of 20, 45, 70 and 100 MW of equivalent power produced every year. Each line is also distinguished by the number of modules manufactured

Crop production under solar panels studied

Solar-energy generation is becoming an increasingly profitable use for cropland. But it has led to concerns that solar farms will displace food production. Barron-Gafford found that agrivoltaics increases the efficiency of both solar panels and crop production. Water released by plants cools the solar panels, which increases their



What is the Carbon Footprint of Solar Panels?

Thanks to skyrocketing energy prices and federal incentives, solar energy is positioned for rapid growth in coming years. In fact, the US has over



72 gigawatts (GW) of high-probability solar additions planned for the next three years, which would nearly double the total capacity currently on the market.. With solar becoming a dominant player in a clean energy ...

Ecoprogetti delivers 300 MW solar panel production line to SAEL

The line has an annual production capacity of 300 MW and is equipped to produce double-sided glass-glass solar panels using TOPCon M10 cells. The production line from Ecoprogetti enables a 600 W output per panel. It operates 24x7, assembling over 190-200 panels daily. Ecoprogetti provides its customers turnkey PV panel production solutions



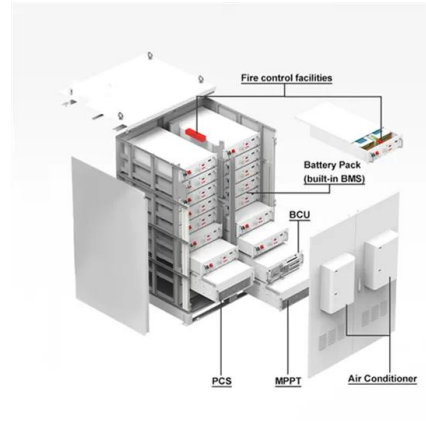
Cost Breakdown of a Solar Panel: From Manufacturing ...

The solar energy industry has witnessed a remarkable evolution over the past few decades, with solar panels becoming a cornerstone of renewable energy solutions worldwide. The journey of solar panels, from their ...

Harnessing solar power to boost climate adaptation in Mayotte: ...

Harnessing solar power for climate adaptation in French Guiana : the role of Sun Water Power

technology Nov 7, 2024 Business model:
financing development in emerging economies
through a dual approach



PUSUNG-R (Fit for 19 inch cabinet)



What Is the Carbon Footprint of a Solar Panel? Overview

Silicon is mined for solar panel production. RHJ / Getty Images. The basic component of a solar panel is the solar cell, usually made of silicon semiconductors that capture and convert the sun's

Production of renewable energy in Mayotte

HAMAHA, in Mamoudzou, makes use of a non-buildable former landfill, thanks to the installation of 1.2 MWp of solar panels on a now secured site. A 2.5 MWh ...



Solar O& M Company

We are a Solar O& M Company dedicated to non-electrical maintenance services that include solar panel cleaning, vegetation management, Aerial imaging (hotspot detection), and more. Give Us a Call Today: 850-241-4577. Home;

ENERGY PROFILE Mayotte

Database; IRENA Global Atlas; and World Bank Global Solar Atlas and Global Wind Atlas. Additional notes: Capacity per capita and public investments SDGs only apply to developing areas. Energy self-sufficiency has been defined as total primary energy production divided by total primary energy supply. Energy trade includes all



Solar O& M Company

We are a Solar O& M Company dedicated to non-electrical maintenance services that include solar panel cleaning, vegetation management, Aerial imaging (hotspot detection), and more. Give Us a Call Today: 850-241-4577. Home; Max Production Solar Panel Cleaning 4228 Carrington Ct Tallahassee, FL 32303 Phone: 850-241-4577. Quick Links. MAX

Notre présence à Mayotte

À Mayotte, Albioma exploite un parc photovoltaïque d'une capacité installée de 15,3 MWc. Ses centrales sont toutes implantées dans des zones sans conflit d'usage, comme celle du marché de Mamoudzou qui est, avec ses 725 KW

...



Solar Panel Output Estimator

Solar Panel Output Estimator Calculator. To simplify this process, you can use the following Solar Panel Output Estimator Calculator.. Inputs: Solar Panel Wattage (W): Enter the wattage of your solar panel (e.g., 300W, 350W, etc.). Sun Hours per Day: The average sunlight hours your

location receives per day. You can find this information using online tools or databases like ...



How Many kWh Does A Solar Panel Produce Per Day? Calculator ...

Now you can just read the solar panel daily kWh production off this chart. Here are some examples of individual solar panels: A 300-watt solar panel will produce anywhere from 0.90 to 1.35 kWh per day (at 4-6 peak sun hours locations).; A 400-watt solar panel will produce anywhere from 1.20 to 1.80 kWh per day (at 4-6 peak sun hours locations).; The biggest 700 ...



[How are solar panels manufactured?](#)

Then they're sealed into an acetate, often made of rubber or vinyl. The panel is placed into an aluminum frame and sealed beneath a sheet of glass or plastic to create the much-anticipated solar panel. Who Manufactures Solar Panels? Much of the work for solar panels is done by precision-level robotics.

Production

La production réunit plus d'une centaine de collaborateurs : 46 aux Badamiers et 58 à Longoni, répartis sur 4 sections : EDM raccorde tous les producteurs de Mayotte. Nous nous

sommes dotés également de 2 parcs de panneaux photovoltaïques sur notre site de Longoni et au siège, à Kawéni. Electricité de Mayotte BP 333 - 97600



Steps and layout of solar module manufacturing ...

ECOPROGETTI PRODUCTION LINES OF 20, 45, 70 AND 100 MW. Our production lines are designed to meet the highest standards of quality in the photovoltaic industry. The proposed solutions include 4 different ...

Introduction to Solar Cells: The Future of Clean, Off-Grid Energy

2 ???· 3rd Generation: Organic Solar Cells, Perovskite Solar Cells, Dye-Sensitized Solar Cells, Quantum Dot Solar Cells and Tandem Solar Cells So far the market leader is the first generation silicon solar cells with 97% of production where the second generation thin film based solar cells follow as second, with 2,5%.



Solar panel production equipment and machinery

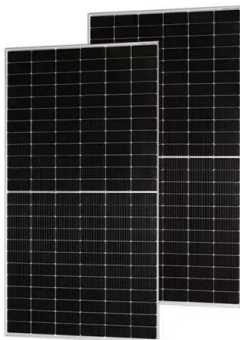
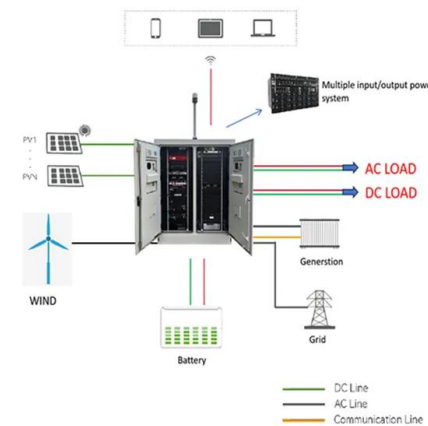
Setting a production line of solar panels is a task that requires know-how and experience. The variables are different, so it's better to organize the space according to a logic of efficiency and rationality, considering the operators, storage of



materials and other requirements of ...

Thornova Solar begins solar module production in Indonesia

Thornova Solar begins solar module production in Indonesia. By George Heynes. November 19, 2024. The sites are expected to generate over 120MW of solar power, Nexamp said, across the states of



Inauguration of the Hamaha plant in Mayotte

Another step towards Mayotte's energy transition. With an output of 1.2 MW, this plant provides local renewable electricity to almost 1,700 of the island's inhabitants. These batteries enable solar production to be smoothed out and 3.5 MWh - i.e. the electricity produced by the plant in 3 hours - to be stored.

Cost Breakdown of a Solar Panel: From Manufacturing to Market

The solar energy industry has witnessed a remarkable evolution over the past few decades, with solar panels becoming a cornerstone of renewable energy solutions worldwide. The

journey of solar panels, from their manufacturing stages through to reaching the consumer market, encompasses a myriad of processes, each contributing to the final cost



NuVision Solar plans HJT cell, solar module production in U.S. in ...

5 ???· Solar module manufacturing in the United States will get another shot in the arm later in 2025 from new entrant NuVision Solar. This American-owned operation based in West Palm Beach Florida will be producing both solar cells (heterojunction) and modules, which is crucial for earning the domestic content tax credit adder.. NuVision Solar says its team has been ...

The Performance and Production of a Solar Panel [Guide]

The northern part of France and the north-east of the country has a solar energy production capacity estimated between 800 and 1000 kWh / kWp. In contrast, the southern part of the country and Corsica can expect a production of the order of 1200 to 1400 kWh / kWp This calculation of photovoltaic production is approximate and is applicable only



[How are solar panels manufactured?](#)



Then they're sealed into an acetate, often made of rubber or vinyl. The panel is placed into an aluminum frame and sealed beneath a sheet of glass or plastic to create the much-anticipated solar panel. Who Manufactures ...

PVGIS 5.3 SOLAR PANEL CALCULATOR

The year-to-year variability is the standard deviation of the annual values calculated over the period covered by the selected solar radiation database. Annual Production in kW, taking into account geographic and climatic parameters: Yearly PV energy production (kWh):--Annual Irradiation, the potential production of kWhs per m 2: Yearly in



Researchers make stunning discovery while testing crops grown ...

3 ???· A team of researchers at the University of Córdoba in Spain discovered a way for solar energy generation and crop production to coexist on the same land without competing for resources. In a recent study published in the Journal of Cleaner Production, researchers tested a model that integrates solar collectors with hedgerow olive plantations

Solar Photovoltaic Manufacturing Basics

Module Assembly - At a module assembly facility,

copper ribbons plated with solder connect the silver busbars on the front surface of one cell to the rear surface of an adjacent cell in a process known as tabbing and stringing. The ...



How Organic Solar Panels Will Impact Electrical Engineering

Here are a few of the benefits of organic panels:
Cost-Effective Production: Organic solar panels can be produced using solution-based methods, similar to painting a wall. This allows for the coating of various surfaces, reducing manufacturing costs and making solar technology more accessible.

Contact Us

For catalog requests, pricing, or partnerships, please visit:
<https://bialydom.kolobrzeg.pl>