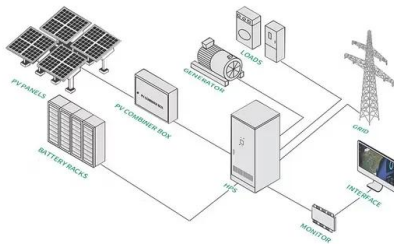


European Solar Energy Storage

Pmc energy ltd Aruba



PMC energy ltd Aruba



PMC Energy careers in Moncton, NB , Indeed

PMC Energy salaries in Moncton, NB. Salary estimated from 30 employees, users, and past and present job advertisements on Indeed. Energy Engineer. \$65,763 per year. Find another company. Search. Hiring Lab; Career advice; Browse Jobs; Browse Companies; Salaries; Indeed Events; Work at Indeed; Countries; About; Help Centre; ESG at Indeed

EERE: Project Management Center

Welcome to the EERE Project Management Center Golden Business Services System. This site is a "virtual hub" of project management information and resources for Energy Efficiency and Renewable Energy (EE) customers, stakeholders, staff and contractors offered by the U.S. Department of Energy's Golden Field Office. As the Business and Service



TAX FREE

ENERGY STORAGE SYSTEM

Product Model
 HJ-ESS-215A(100KW/215KWH)
 HJ-ESS-115A(50KW 115KWH)

Dimensions
 1600*1280*2200mm
 1600*1200*2000mm

Rated Battery Capacity
 215KWH/115KWH

Battery Cooling Method
 Air Cooled/Liquid Cooled



HVAC Apprentice - St John's, N.L.

OUR COMPANY. PMC Energy was founded in 2008 with a mission to save energy for our customers. We use building controls, energy efficient equipment, and unique control strategies to fine tune building performance and minimize energy use. We have performed many successful building retrofits, saving our customers hundreds of thousands of kilowatts

PMC Energy

Who is PMC Energy. PMC is dedicated to create custom tailored energy solutions to reduce energy consumption and demand, all while increasing comfort, and providing a high level of customer service that is built on trust. The concept of PMC is relatively simple: Assessment & Proposal Phase: PMC works with each client from beginning to end: assesses building size, ...



What is PMC Energy? Company Culture, Mission, Values

Glassdoor gives you an inside look at what it's like to work at PMC Energy, including salaries, reviews, office photos and more. This is the PMC Energy company profile. All content is posted anonymously by employees working at PMC Energy.

[PMC Energy Limited , LinkedIn](#)

PMC Energy Limited , 908 followers on LinkedIn. Custom energy savings programs, reduced operating costs, extended equipment life, and improved comfort level! , Considering over 40% of all energy is consumed by buildings, it is no wonder building managers and owners are becoming increasingly mindful of energy costs and usage. Given the fact that about half of buildings are ...



Nick Green

I am highly motivated and dedicated, constantly pursuing superior service and performance, continually growing and expanding my skills to stay current with the industry and always looking for and implementing improvements. · Experience: PMC Energy Limited · Location: Queens · 178 connections on LinkedIn. View Nick

Green's profile on LinkedIn, a professional community of 1 ...



B Aruba

Create Grow & Transform Mission Mission To create an everlasting sustainable positive connection with whomever is ready to grow and transform together with us. Vision Vision B-Energy is the market leader in sustainable quality products & services and is making these infinitely available for everyone in Aruba, Bonaire and Curacao. By Creating, Growing and [...]



[PMC Energy Ltd](#)

More About PMC Energy Ltd Considering over 40% of all energy is consumed by buildings, it is no wonder building managers and owners are becoming increasingly mindful of energy costs and usage. Given the fact that about half of buildings are operating at less than 60% efficiency, there is a lot of room for improvement. that's what we do - we

[PMC Energy Limited](#)

PMC Energy Limited , LinkedIn ??? 737? , Considering over 40% of all energy is consumed by buildings, it is no wonder building managers and owners are becoming increasingly mindful of energy costs and usage. Given the fact that about half of buildings are operating at less than 60% efficiency, there is a lot of room for

improvement. that's what we do - we make buildings ...



Scott Hue, B.Eng., CEM

Experienced Energy and HVAC Professional with a demonstrated history of working in the facilities services industry. Skilled in Facility Management (FM), Design-Build Construction, Contract Management, and Energy Management. Strong energy professional with a Bachelor of Mechanical Engineering (BEng) focused in Energy Management from University of Waterloo. · ...

Energy Experts

Our signature service is Energy Performance Contracting (EPC) - an innovative project delivery model that guarantees energy savings, starting with the evaluation of your facility by our team of Certified Energy Managers and Auditors (CEMs and CEAs) to help identify how you can reduce your energy costs.. Next, we take a project-based approach to designing and implementing ...



PMC Energy Limited

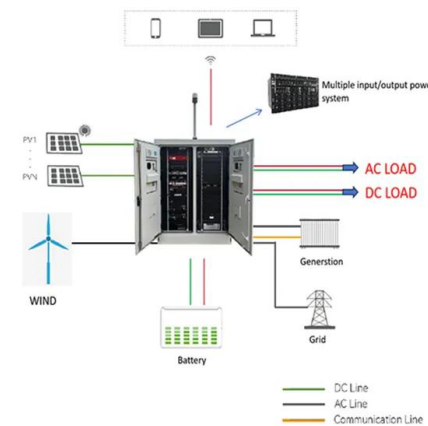
PMC Energy Limited , ??? ?? ?????????? ??? LinkedIn. Custom energy savings programs, reduced operating costs, extended equipment life, and improved comfort level! , Considering over 40% of all energy is consumed by buildings, it is no wonder building managers and owners



are becoming increasingly mindful of energy costs and usage. Given the fact that about half of buildings are

ENERGY T ARUBA N.V. Company Profile

Find company research, competitor information, contact details & financial data for ENERGY T ARUBA N.V. of Noord. Get the latest business insights from Dun & Bradstreet. ENERGY T ARUBA N.V. D& B Business Directory Dun & Bradstreet collects private company financials for more than 23 million companies worldwide. Find out more. Get a D& B



PMC Energy Ltd. in Dartmouth, NS B3B 1P7

PMC Energy Ltd. located at 900 Windmill Rd Suite 100, Dartmouth, NS B3B 1P7 - reviews, ratings, hours, phone number, directions, and more. Search Find a Business

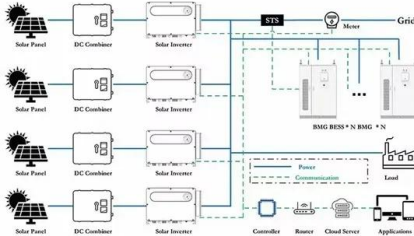
Pmc Energy

Pmc Energy is a facility management company located in Moncton. Moncton, New Brunswick, Canada; 11-50; Private; ; 1,598,433; Director 1 email found . View contacts for Pmc Energy to access new leads and connect with decision-makers. View All Contacts . Details. Edit Details Section. Industries . Architecture . Energy



PMC Energy Ltd. hiring Training & Development Implementation ...

About PMC Energy: Established in 2008, PMC Energy is driven by a core mission to revolutionize energy conservation for o See this and similar jobs on Glasdoor



PMC Energy Limited

PMC Energy Limited , 698 ?? ?????????? ???
 LinkedIn. Considering over 40% of all energy is consumed by buildings, it is no wonder building managers and owners are becoming increasingly mindful of energy costs and usage. Given the fact that about half of buildings are operating at less than 60% efficiency, there is a lot of room for improvement. that's what we do - we make



PMC - an energy compnay

Photovoltaic Mediterranean Construction is a unique, transparent and flexible solution for renewables investors, funds, IPP and utilities offers a complete turnkey EPC service particularly and uniquely specialized on Mediterranean costal areas, serving from engineering and construction to connection and O& M service.



About Us

We are the first and the only epc company specialized and fully focused on Mediterranean costal areas PV projects, with a wide selection of local specialized suppliers, by using native plants for agrovoltaic projects, galvanized iron structures and antiammonica special electrical equipments. An Energy Construction Company. Via Selvettina 6



[PMC Energy Limited](#)

PMC Energy Limited , 887 followers on LinkedIn. Custom energy savings programs, reduced operating costs, extended equipment life, and improved comfort level! , Considering over 40% of all energy is consumed by buildings, it is no wonder building managers and owners are becoming increasingly mindful of energy costs and usage. Given the fact that about half of buildings are ...

[St John's N.L. Archives](#)

Energy Monitoring; Daikin Service Alliance Partner; Chiller Service; PMC Topic. St John's N.L. Filters. HVAC Apprentice - St John's, N.L. 10th May 2024. OUR COMPANY PMC Energy was founded in 2008 with a mission to save energy for our customers. We use building controls,

energy efficient equipment, and unique control strategies to fine



PMC Energy Limited

PMC Energy Limited , 891 followers on LinkedIn. Custom energy savings programs, reduced operating costs, extended equipment life, and improved comfort level! , Considering over 40% of all energy is consumed by buildings, it is no wonder building managers and owners are becoming increasingly mindful of energy costs and usage. Given the fact that about half of buildings are ...

Success Stories

We understand how to reduce energy consumption in buildings. We'll tell you not only what needs to be done, but also how we will do it and deliver a turnkey project. In some cases we even guarantee the results!



PMC Energy Careers and Employment , Indeed

Find out what works well at PMC Energy from the people who know best. Get the inside scoop on jobs, salaries, top office locations, and CEO insights. Compare pay for popular roles and read about the team's work-life balance. Uncover why PMC Energy is the best company for you.



Contact Us

For catalog requests, pricing, or partnerships, please visit:
<https://bialydom.kolobrzeg.pl>