

## European Solar Energy Storage

# Muscat professional phase change energy storage boiler



## Muscat professional phase change energy storage boiler

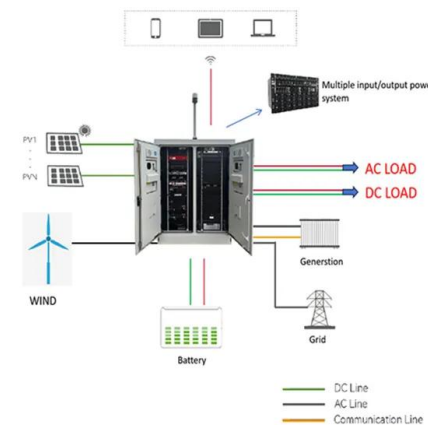


### Phase change energy storage production in muscat

Thermal energy storage based on phase change materials (PCMs) can improve the efficiency of energy utilization by eliminating the mismatch between energy supply and demand.

### Muscat Energy Storage Radiator: The Future of Efficient Heating

Enter the Muscat Energy Storage Radiator, a game-changer that combines thermal innovation with smart energy storage. Imagine a radiator that not only heats your room but also stores excess energy like a squirrel hoarding acorns for winter.

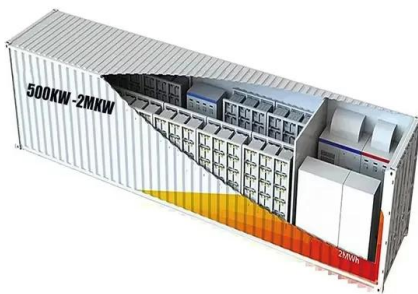


### Muscat lima phase change energy storage

Are PCM thermal storage techniques more energy efficient? Challenges and opportunities exist for researchers to develop PCM thermal storage techniques that are both more energy dense and more efficient. Can cascaded thermal energy storage solve a PCM problem?

### Muscat phase change energy storage costs

Phase change materials (PCMs) are such a series of materials that exhibit excellent energy storage capacity and are able to store/release large amounts of latent heat at near-constant temperatures



## Muscat State New Energy Storage Project: Powering Oman's ...

Designed for policymakers, renewable energy developers, and tech-savvy environmentalists, this megaproject could become the Middle East's blueprint for grid resilience.

## Muscat's New Energy Storage Solutions for Peak Load ...

That's peak load regulation's worst nightmare - and exactly why energy storage has become Oman's new favorite buzzword. This article isn't just for engineers in hard hats (though they'll love it).

**LIQUID COOLING ENERGY STORAGE SYSTEM**

EMS real-time monitoring  
 No container design  
 flexible site layout

The image shows a large, grey, rectangular energy storage unit with solar panels mounted on its top surface. The unit has several warning symbols (yellow triangles with exclamation marks) on its front panel. In the background, a power line tower is visible.

Cycle Life	Nominal Energy	IP Grade
<b>≥ 8000</b>	<b>200kwh</b>	<b>IP55</b>

## muscat high energy storage phase change wax

The use of paraffin as a phase change material has many advantages, e.g., low cost, high energy storage density (amount of energy stored per mass unit), chemical stability, small changes in volume



## Phase change energy storage boiler muscat

Researchers world-wide are investigating thermal energy storage, especially phase change materials, for their substantial benefits in improving energy efficiency, sustaining



## PHASE CHANGE MATERIALS FOR AUTONOMOUS ...

The overall goal of this paper is to explore the potential of embedding phase change materials as a passive energy storage technology into building envelope under hot climate environment.

## Muscat Solar Thermal Storage Products: Powering Oman's ...

Unlike generic solar solutions, Muscat's products are built like camels--designed for extreme heat and long-term storage. We're talking phase change materials (PCMs) that store heat like a thermos on steroids, perfect for when the sun clocks out at 6 PM but your guests still want hot showers.



## Contact Us

For catalog requests, pricing, or partnerships, please visit:  
<https://bialydom.kolobrzeg.pl>