

## European Solar Energy Storage

# Muscat energy storage policy 2024



## Muscat energy storage policy 2024

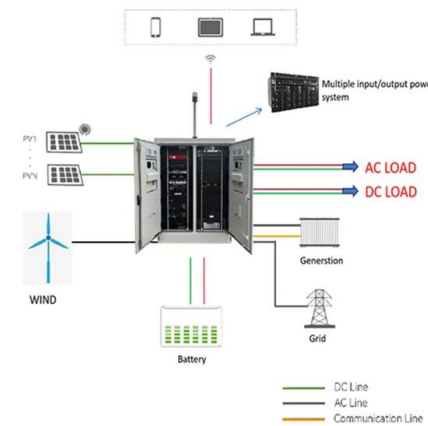


### Muscat s new energy storage policy

In the "Key Work Arrangements for Reform in 2020" and the "Opinions of State Grid Co., Ltd. on Comprehensively Deepening Reform and Striving for Breakthroughs," the power grid expressed its intention to implement a new business plan for energy storage and cultivate new momentum for growth based on strategic emerging industries such as

## Renewable Energy in Oman RE Potential and PWP Plans

RENEWABLE ENERGY STRATEGY Policy Objectives for Renewable Energy Based on the 2040 vision, the renewables target is to: reach 30% generation by 2030 and 35-39% by 2040. A key objective of this target is to release domestic gas committed to the power sector, to be available to stimulate industrial and economic development.



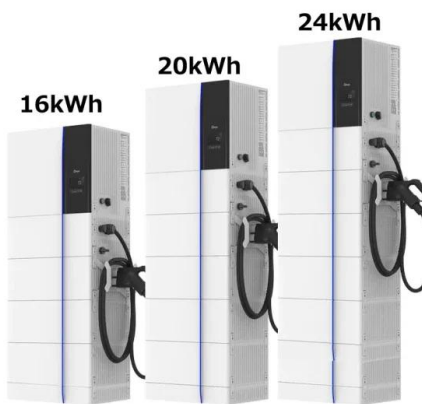
### Muscat s new power storage policy

t s latest energy storage policy. Bonded Bulk Storage Poli y will end fuel hoarding, reduce. State Minister for Petroleum Musadik Malik announced on Wednesday that the Bonded Bulk Storage Policy 2023, recently approve

## Muscat's Energy Storage Subsidy Shift: What Renewable

...

Muscat's energy ministry dropped a bombshell last week: a 40% reduction in storage system subsidies effective October 2024. This policy pivot comes as Oman's lithium-ion battery installations hit 78 MW capacity in Q2 2024 - triple 2021 figures.



### [Muscat energy storage policy 2025](#)

Nama Power & Water Procurement Company (PWP), the sole national buyer of all electricity and potable water output, plans to study options for developing energy storage capacity - a prerequisite for the optimal utilization of renewable resources in the Sultanate of Oman.

## Muscat's Energy Storage Policy: Powering Oman's Sustainable ...

The answer lies in Muscat's policy on energy storage systems --a game-changer for the region's energy landscape. This article breaks down what you need to know, whether you're a tech enthusiast, investor, or just curious about green energy trends.



### [Muscat energy storage 2025 policy](#)

Oman's policy response is guided by Oman Vision 2040, which aims to put the economy on a more diversified and sustainable footing, while protecting the environment and improving livelihoods.



## Muscat Energy Storage Support Policy: A Game-Changer for ...

Enter Oman's groundbreaking Muscat Energy Storage Support Policy - the unsung hero ensuring nobody gets left in the dark. This isn't just bureaucratic paperwork; it's the rocket fuel propelling Oman's energy revolution.



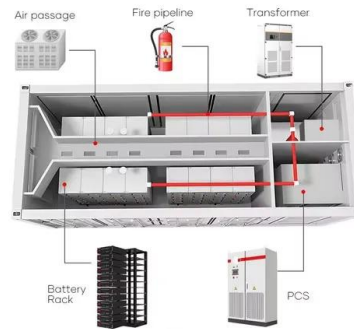
## 2024 muscat energy storage power station

MUSCAT: A new solar PV based Independent Power Project (IPP), set to come up at Ibri in Al Dhahirah Governorate, is expected to be integrated with utility-scale battery storage in a first for Oman's rapidly expanding renewable energy sector.



## Oman's new renewables policy to drive investments in energy storage

MUSCAT: A new policy framework unveiled by Oman's Ministry of Energy and Minerals last week is expected to lend new impetus to the growth of integrated renewable energy capacity, encompassing



## Oman's new renewables policy to drive investments in ...

MUSCAT: A new policy framework unveiled by Oman's Ministry of Energy and Minerals last week is expected to lend new impetus to the growth of integrated renewable energy capacity, encompassing

## Contact Us

---

For catalog requests, pricing, or partnerships, please visit:  
<https://bialydom.kolobrzeg.pl>