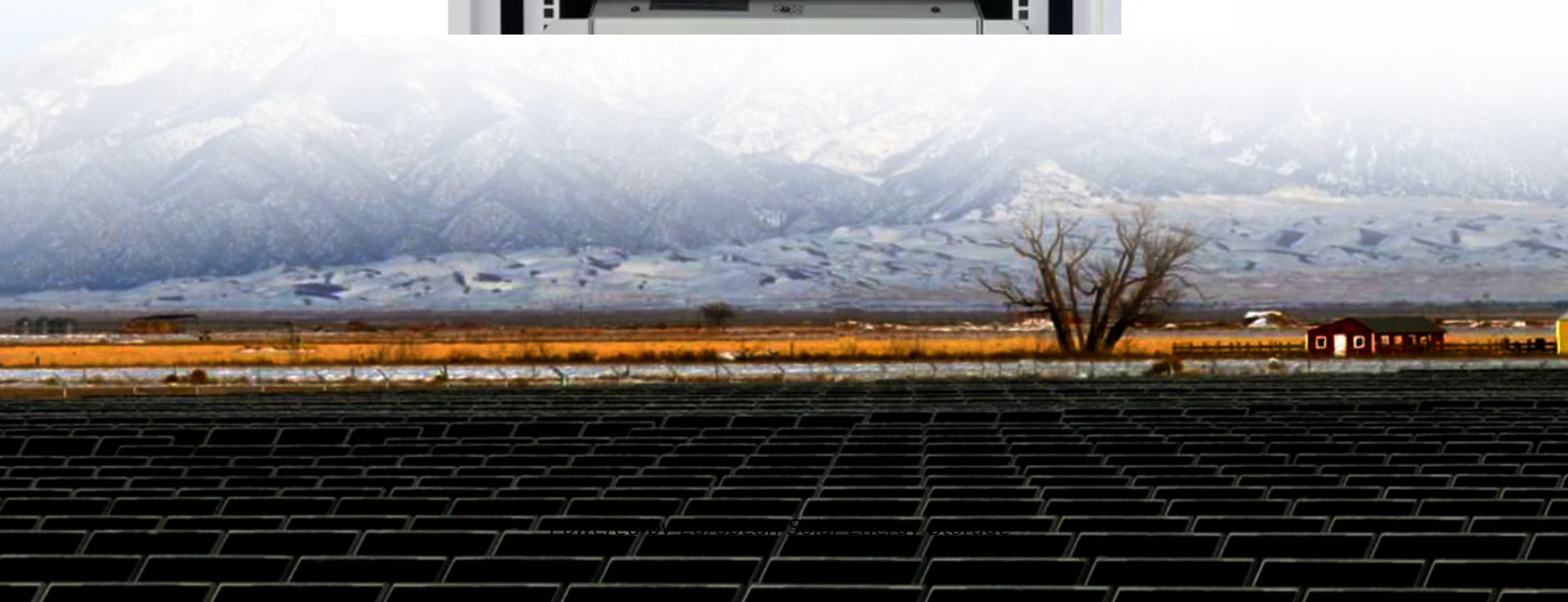


European Solar Energy Storage

Lebanon energy storage safety appointment consultation



Lebanon energy storage safety appointment consultation



Lebanon energy storage tank recommendation

Prepared by IRENA in collaboration with Lebanon's Ministry of Energy and Water, and the Lebanese Center for Energy Conservation, the report aims to support the establishment of a clear and well-designed roadmap for the country's renewable energy development by 2030.

Lebanon's Energy Storage Revolution: GSL OEM C&I ...

Interested in becoming a GSL OEM Partner in Lebanon? We're actively seeking local system integrators, solar EPC companies, and project developers to collaborate on large-scale C&I storage solutions. Let's work ...



User-Side Energy Storage Policy in Lebanon: Powering Through ...

No wonder Lebanese are embracing energy storage like hummus at a mezze table. But here's the kicker - the government's new user-side energy storage regulations might finally turn this chaos into opportunity.

Lebanon's Energy Storage Battery Regulations: Key

Policies ...

Many experts argue Lebanon should adopt modified versions of Jordan's proven regulatory framework rather than reinventing the wheel. Either way, battery storage isn't just about keeping lights on anymore - it's become a symbol of national resilience in turbulent times.



Why Lebanon's Energy Storage Market Demands Your Attention ...

As we approach Q4 2025, Lebanon's energy storage market is reaching critical mass. The question isn't whether to adopt lithium battery solutions - it's how quickly you can implement them before competitors lock in supplier relationships.

Lebanon's Energy Storage Revolution: GSL OEM C&I Solutions ...

Interested in becoming a GSL OEM Partner in Lebanon? We're actively seeking local system integrators, solar EPC companies, and project developers to collaborate on large-scale C&I storage solutions. Let's work together to unlock Lebanon's clean energy future.



Energy Storage System Integration in Lebanon: Powering the ...

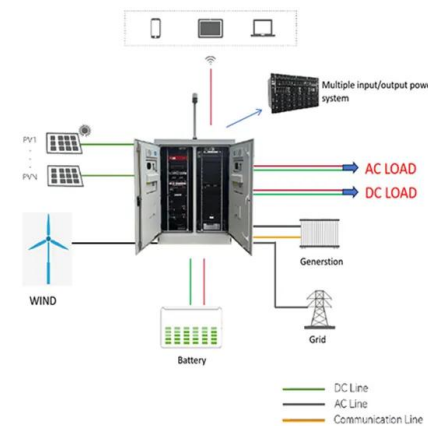
"It's like building a Ferrari but forgetting the gas tank," quips Karim Nasser, a Beirut-based energy consultant. The country's renewable energy

capacity has grown, but without proper energy storage system integration, these projects ...



Lebanon's Energy Storage Revolution: Powering 2025 and Beyond

Well, Lebanon's energy crisis has reached a critical juncture, with grid availability hovering around 60% in urban areas and plummeting to 35% in rural regions [1]. But here's the kicker: The country's renewable energy capacity grew 140% since 2022, yet blackouts persist. Why?



NEW ENERGY STORAGE TECHNOLOGY IN LEBANON

Dyness is a global research, development and manufacturing company of solar energy storage battery systems, providing high voltage, low voltage and other intelligent energy storage lithium battery systems for residential, commercial and industrial customers.

Lebanon s new energy storage requirements

Electrochemical storage(batteries) will be the leading energy storage solution in MENA in the short to medium terms,led by sodium-sulfur (NaS) and lithium-ion (Li-Ion) batteries.



Lebanon Energy Storage Protection Board Standard: A 2025 ...

Ever wondered how Lebanon keeps its energy storage systems from turning into oversized paperweights during power surges? Let's talk about the unsung hero: energy storage protection boards.

Contact Us

For catalog requests, pricing, or partnerships, please visit:
<https://bialydom.kolobrzeg.pl>