

European Solar Energy Storage

Kenya spower solar energy



Overview

How does solar energy work in Kenya?

Solar energy can be extracted at an efficiency rate of approximately 10–17 %, which can then be converted into heat (thermal) or through solar photovoltaic systems to generate electricity. The global horizontal irradiation (GHI) in Kenya is approximately 2400 kWh/m² /year, indicating substantial potential .

Is solar energy a good choice for Kenyans?

Hezel, like many Kenyans, did not opt for solar energy solely out of a desire to safeguard the environment and combat climate change. She said it is a cost-effective alternative to relying on Kenya's primary energy provider. "It is a lot cheaper than what Kenya Power charges," she said.

Who owns Kenya Solar Park?

Kenya Solar Energy Ltd. (Kensen), a Chinese firm locally registered in Kenya, will own and develop the solar park. Wartsila Eastern Africa Ltd., the local subsidiary of Finnish energy firm Wartsila, is the contractor for the engineering, procurement and construction (EPC).

Who is constructing a solar power plant in Kenya?

French firm Voltalia is the contractor for the engineering, procurement and construction (EPC) of the third largest solar power plant in Kenya, with a capacity of 100 MW. The electricity from the plant will be sold to KPLC at US\$0.12 per kWh.

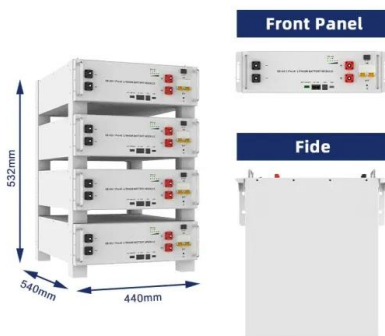
Which is the largest solar project in Kenya?

The Garissa solar plant, located in Garissa county, in the North Eastern part of Kenya, is currently the largest solar project in Kenya and East Africa, with a capacity of 54.7 MW. It is a US\$138 million utility-scale solar photovoltaic (PV) farm.

What is the irradiance of solar power in Kenya?

In Kenya, the direct normal irradiance (DNI) ranges between 1454 and 6649 Wh/m², with the western region having the lowest, while the northeastern region has a higher potential for concentrated solar power (CSP) [93, 94]. The classification of the DNI in Kenya was studied by Ref. using SWERA within a range of 1-10 suitability.

Kenya spower solar energy



Renewable energy status and uptake in Kenya

Solar energy can be extracted at an efficiency rate of approximately 10-17 %, which can then be converted into heat (thermal) or through solar photovoltaic systems to ...

Renewable energy in Kenya

These conditions resulted in 58% of solar energy kit sales in 2023 using cash and PayGo systems. The figure below shows the evolution of sales volumes of solar energy kits from 2021 to 2023. Sales Volumes of Solar Energy Kits - Kenya. Figure 2: Semi-annual Evolution of Sales Volumes of Solar Energy Kits -Kenya. Source: GOGLA.



Kenya moves to become green energy leader and Africa's innovator

The country has invested heavily in hydropower and solar parks, but especially in geothermal power. Geothermal operations produce more than 40% of Kenya's power. Since the 1950s, "Kenya is the pioneer of geothermal progress in Africa," says Peketsa Mangi, who is standing in the middle of a lush field in Kenya's Great Rift Valley with

Renewable Energy Projects .

Energy

The Kenya Off-Grid Solar Access Project (KOSAP) is a project of the Ministry of Energy and Petroleum (MoEP) and is financed by the World Bank (WB). It aims at providing electricity and ...

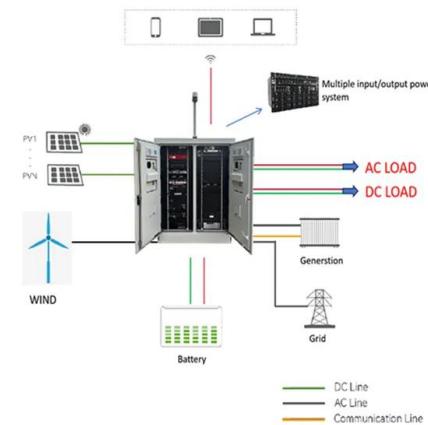


Solar power brightens Kenya's energy landscape

Solar energy in Kenya is being hailed by experts as a game-changer. Generating power from the East African nation's sunshine can potentially revolutionize its energy sector in terms of cost

Energy in Kenya

Electricity Transmission in Kenya. This article describes energy and electricity production, consumption, import and export in Kenya. Kenya's current effective installed (grid connected) electricity capacity is 2,651 megawatts (MW), with peak demand of 1,912 MW, as of November 2019. [1] At that time, demand was rising at a calculated rate of 3.6 percent annually, given ...



Solar Projects in Kenya: 10 Largest Solar Power Plants in MW

It is number 9 of the largest solar projects in Kenya. The solar park will be developed and owned by a Chinese firm locally registered as Kenya Solar Energy Ltd. (Kensen). The contractor



for the engineering, procurement and construction (EPC) is Wartsila Eastern Africa Ltd., the local subsidiary of Finnish energy firm Wartsila.

Harnessing The Sun's Potential: Key Insights into Kenya's ...

Discover Kenya's thriving solar market and its leading role in renewable energy in Africa. With ambitious targets, government support, and favorable solar resources, Kenya embraces solar power as a key driver of sustainable development. Explore the country's off-grid solutions, utility-scale projects, innovative financing models, and the economic opportunities ...



Top five solar PV plants in operation in Kenya

The Kaimosi Tea Estate Solar PV Park solar PV project with a capacity of 1.50MW came online in 2020. It is located in Nandi, Kenya. Buy the profile here. 5. Kapa Oil Solar PV Plant. The Kapa Oil Solar PV Plant has been operating since . The 1.50MW solar PV project is located in Nairobi, Kenya. The project has been developed by CP Solar Resources.

PLAN FOR 100% RENEWABLE ENERGY SCENARIO IN KENYA ...

The report focuses on how to supply the energy for Kenya's development with renewable energy and how to increase energy use with modern, energy efficient technologies. Future growth compromised development while costs for some renewable energy technologies, as solar power, were very high. Nevertheless, clean energy installations continued



[\(PDF\) Solar Energy in Kenya](#)

solar potential in Kenya (solar potential is projected to be 15000MW). Garissa Solar Farm is the largest solar power plant with an installed capacity of 55M W.

90% of Kenya's power now comes from solar, wind

Ruto called for Africa to leapfrog fossil fuels and embrace clean power as the foundation of its future development. Lacking the oil, gas and coal deposits abundant in some parts of the continent, Kenya has embraced renewables instead. Over 90% of its power comes from sources including solar, wind and geothermal.



Solar power, the next frontier for Kenya's renewable energy

One such is the M-KOPA project to enable more and more Kenyans embrace solar energy. Its basic model is to make solar power products affordable to low income households through a ...



The Seven Major Threats to Kenya's Power Sector

Kenya is poised to add Africa's largest wind farm (310 MW at Lake Turkana) and the region's largest solar facility (55 MW in Garissa). 3; As a result, Kenya currently can now produce significantly more power than it consumes. This is a dramatic reversal of the crippling power rationing of the early 2000s 4 and the 2010 power crisis. 5



- IP65/IP55 OUTDOOR CABINET
- ALUMINUM
- OUTDOOR ENERGY STORAGE CABINET
- OUTDOOR EQUIPMENT CABINET

Equator Energy

Equator Energy is the market leader in C& I solar in Kenya and East Africa. Equator Energy clients are guaranteed energy savings with zero up-front cost. Menu. Our Solutions Our Projects Energy Intelligence Our Since our solar ...

Doing development differently: How Kenya is rapidly emerging as ...

When William Ruto was sworn in as Kenya's fifth president in September 2022, he used his inauguration speech to demand an end to humanity's "addiction to fossil fuels" and

reaffirmed Kenya's commitment to reach 100% clean energy by 2030. Kenya is not far off this target today. In 2021, 81% of Kenya's electricity generation came from the low carbon sources ...

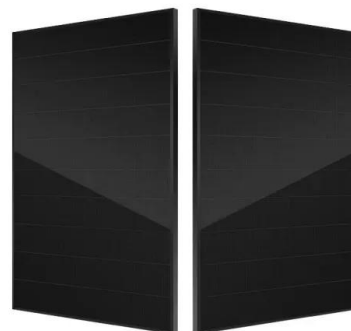


Kenya's power infrastructure , African Energy

Revised in December 2024, this map focuses on power sector infrastructure across Kenya. The locations of power generation facilities that are operating, under construction or planned are shown by type - including liquid fuels, gas and liquid fuels, coal, geothermal, hybrid, hydroelectricity, solar PV, wind and biomass/biogas. Generation sites are marked with ...

Why solar power systems hold key to cheaper energy in Kenya

Kenya has made significant strides in renewable energy, and solar power can further contribute to reducing the country's carbon footprint. As global pressure mounts to transition to greener energy sources, solar offers a viable path for Kenya to meet its environmental commitments while reaping economic benefits.



Kenya's Renewable Energy Development Prospects

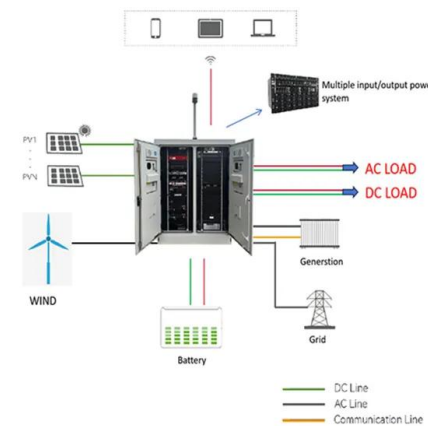
Kenya can no doubt achieve its goal if it



develops green energy systems, such as those based on solar, wind power, and storage. While the EU has committed almost EUR12 million in grants to leverage public and private investments in the Kenyan green hydrogen industry and the Global Gateway invests EUR3.4 billion in climate and nature in Kenya

Kenya: A renewable energy hub with frequent blackouts

01/02/2024 January 2, 2024. Kenya boasts around 87% renewable energy generation, yet its citizens are left fumbling in the dark. Experts say frequent nationwide power outages in recent months show



Our Lifepo4 batteries can be connected in parallels and in series for larger capacity and voltage.



Review of solar energy development in Kenya: Opportunities and

Decentralizing solar energy power in Kenya will likely be an important aspect in expanding electricity access, the economics for renewable energy maybe enthralling for large population in both urban and rural set up. FiTs offers the best technique for promoting private sector investments in Kenya. It acts as a channel for transforming the

Solar Projects in Kenya: 10 Largest Solar Power Plants in MW

Solar energy is radiant light and heat from the sun harnessed using different forms of

technologies such as solar photovoltaic, solar thermal energy, solar heating and solar architecture. Kenya ...



Review of solar energy development in Kenya: Opportunities and

This review focuses on four major aspects of solar electrification in Kenya: (i) the opportunities available for solar electrification (ii) the main barriers encountered in solar ...

KenGen to add 42MW of Solar Energy Bolstering Kenya's Green Energy ...

Nairobi, Tuesday, July 17, 2024: Kenya Electricity Generating Company (KenGen) is to add 42.5MW of solar energy in Seven Forks area in a move to scale up Kenya's green energy deployment.. The project is expected to last for twenty-eight (28) months and seeks to install a 42.5MW solar power plant in the home of the Seven Forks dams where KenGen generates ...



Equator Energy

Equator Energy is the market leader in C& I solar in Kenya and East Africa. Equator Energy clients are guaranteed energy savings with zero up-front cost. Menu. Our Solutions Our Projects Energy Intelligence Our Since our solar power

system will save energy expenses for the future buyer, you may even be able to get a higher sales price with



Kenya's Clean Energy Transition Gets a Boost from ...

Unleashing its solar energy potential can support both Kenya's clean energy and energy access goals. Renewable energy sources generate over 80 percent of Kenya's electricity today, placing the country of 50 million people ...



Harnessing Solar Power: Transforming Kenya's Energy

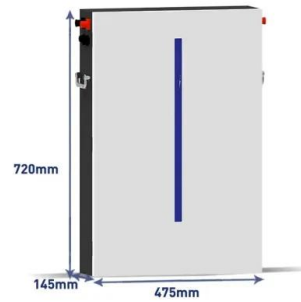
...

Solar power has emerged as a game-changer in the global energy landscape, offering numerous advantages over traditional fossil fuels. In Kenya, a country blessed with abundant sunlight throughout

Solar power, the next frontier for Kenya's renewable energy

The uptake of solar power in Kenya has been due to several factors such as cheaper technology for solar panels, abundant supply of panels, over-reliance and costliness of fossil fuels and the unstable nature of both hydro and wind power generation therefore solar power is now Kenya's next frontier for renewable energy. In 2012,

there was



Kenya's Ambitious Renewable Energy Revolution

Kenya aims to achieve 100 percent clean energy by 2030, supported by a \$70 million investment from the Climate Investment Funds, leveraging its rich renewable energy potential.

How Kenya's M-Kopa Brings Prepaid Solar Power To Rural

...

Using the pay-as-you-go model popularised by mobile phones, a remarkable Kenyan company, M-Kopa Solar, is providing rent-to-own solar energy products that will help provide cheap solar power to



Kenya Power & Energy Exhibition 2025

The POWER & ENERGY KENYA is the only exhibition dedicated to the power and energy sector in the region. Being the largest power event in the industry the event showcases products and services to the industry's largest gathering of qualified decision-makers, buyers, service provider, importers and distributors.

OEM service

Hot Colors:



Color can be customized
 more questions just do not hesitate to contact us

LOGO Position: (Screen printing)



Power Africa in Kenya , Power Africa , U.S. Agency ...

By supporting innovative projects like Burundi's first solar power plant, Mubuga Solar Plant, and Kenya's Menengai geothermal projects, we are helping to increase energy access, powering households, supporting small ...



[\(PDF\) Solar Energy in Kenya](#)

Solar Energy in Kenya. August 2022; Authors: Ian Njuguna. Off-grid solar (OGS) power generation systems are a widely studied case for accelerating energy transitions for the global poor.

Contact Us

For catalog requests, pricing, or partnerships, please visit:
<https://bialydom.kolobrzeg.pl>