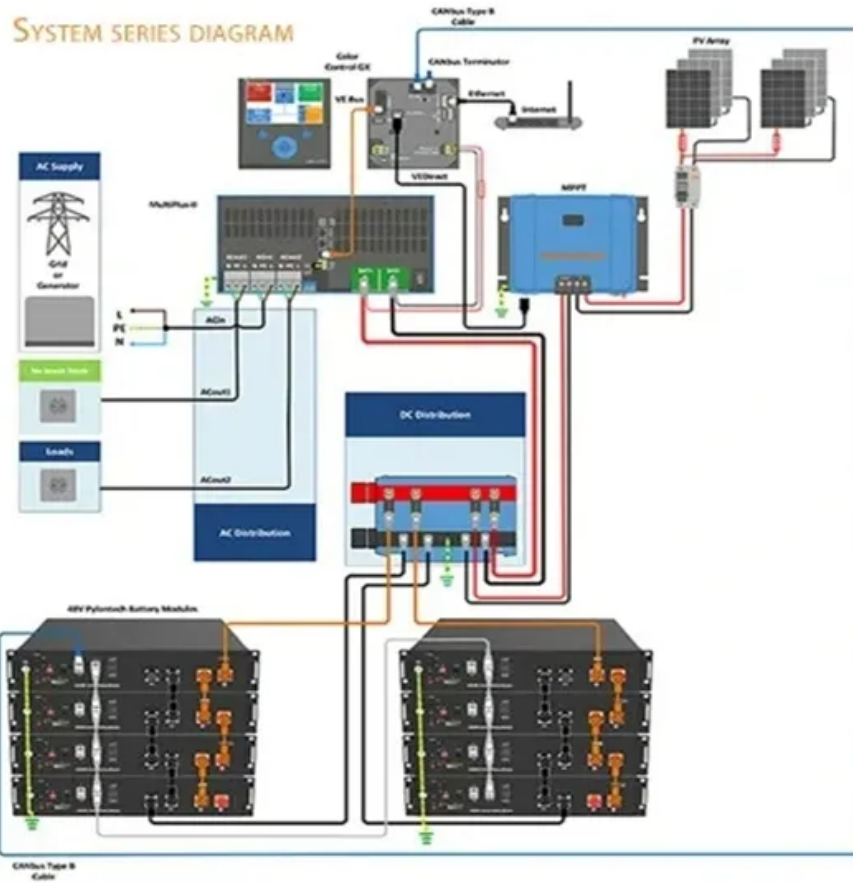


## European Solar Energy Storage

# Ireland solar storage bank



## Ireland solar storage bank

---



### Ireland's best solar energy storage systems -- AOS ENERGY

Off-grid solar panel systems, home energy storage systems or solar battery backup systems for business; we have the right solution for you. There's never been a better time to take control of your energy bills, and a solar panel system with battery storage is the best option. without the need for Solar PV. Currently in Ireland a day/night

### SSE acquires 120MW/240MWh battery storage project in Ireland...

SSE has acquired the project development rights for a 120MW/240MWh grid-scale battery energy storage system (BESS) project in Ireland's Midlands from UK-based renewable energy company Low Carbon which, if approved for final delivery, could be constructed and operational by the end of decade.



### Solar Panels Ireland Cost [and savings] , 2025 Guide

A typical solar storage battery (which can store about 5.1kWh of power) will add around EUR1,700 - EUR2,200 to the PV solar panel installation cost. The example quotes given on this page have been calculated both with and without a battery, showing you how battery storage affects payback period and power usage.

## The 7 Best Solar Power Banks

With an impressive 38,800 mAh battery, this compact power bank has four built-in solar panels or can be charged from a micro USB cable. It's an excellent value, looks attractive, and has more



## **Home , Solmatix , Solar Panel PV , Battery storage , EV ...**

Serving the UK & Ireland from our headquarters in N eland, Solmatix are one of the largest leading providers of renewable energy technologies for commercial, agricultural and domestic customers. Since 2008, we have helped thousands ...

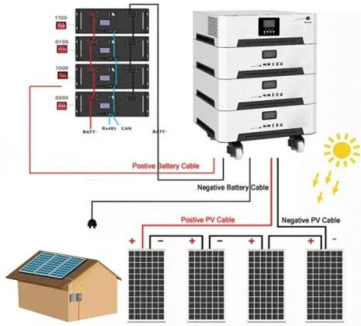


## Portable Power Stations

You can order Portable Power Stations at Solar Power Supply. Portable, or as a UPS system at home. Backup energy for off-grid or emergency supply system at home. English. View all Energy Storage Systems. Type of Energy Storage Systems. Home Batteries; Balcony Systems; Motorhome / Tiny House Systems; Brand. Bluetti Energy Storage Systems;

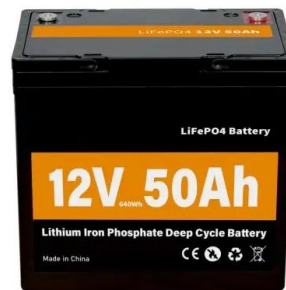
## Long Duration Energy Storage

Energy storage is the counterweight to intermittent renewable generation capacity, such as wind and solar power, and enables balancing of the energy system by matching supply and demand. With a target of 80% ...



## Solar Panel Grants Ireland

The two main streams of grants for solar panels in Ireland offer up to EUR2,100 for the installation of a solar PV system on a home or as much as EUR162,000 for large scale commercial systems.. The SEAI Solar Electricity PV grants provide money for installing solar panels on private residences. The Non-Domestic Microgen Scheme offers the same amount of funding for businesses and ...



## Solar Panel Batteries in Ireland: Guide and Pricing 2024

Annual Savings from Solar Storage - EUR222.47;  
 Annual Savings from Night Rate Storage - EUR220.88;  
 Annual Total Savings - EUR443.35;  
 Here are some of the main solar panel companies in Ireland: Electric Ireland; Solartricity; Solar Electric; Alternative Energy Ireland; NRG Panel; Green House Renewable Energy; LVP Renewables;

## Home Battery Storage Ireland , libbi , myenergi IE ?

I've got solar already and want to add more, with storage: Install Type New install New install

Retrofit Retrofit. Set Up PV and libbi libbi only libbi only: Replace your existing solar inverter with a libbi, which is a combined solar inverter and ...



## Statkraft and Copenhagen Infrastructure Partners team up to ...

Statkraft has announced a major deal with Copenhagen Infrastructure Partners' (CIP) fund Copenhagen Infrastructure IV K/S (CI IV) as part of its plans to develop up to 2.2 gigawatts of offshore wind in Ireland. This landmark partnership will see CIP acquire a 50% stake in Statkraft's offshore wind portfolio in Ireland. The financial terms of...

## Battery Storage Solution

SOLAR ENERGY STORAGE SOLUTIONS. Did you know Solar Panels from Eco Horizon will generate more power than you actually require on certain days, this is where the Battery Storage System comes into play, a typical Solar Power System will generate 30-40% of your household or business needs, with a Battery Storage System you can have the potential to generate up to ...



## Solar and Battery

We are progressing a 1.2GW secured pipeline of utility-scale solar and battery projects across the UK and Ireland and a further 1.3GW of other prospective sites under development. These



assets complement our existing portfolio of other low carbon infrastructure such as wind and hydro. Our solar projects will be capable of harnessing the abundant power of the sun to bring renewable ...

## Ireland's RESS 4 secures 960MW solar PV

Outlook improved but Ireland off track for CAP24 goals. Last year, onshore wind and solar volumes provisionally procured in the third RESS auction represented a 12% increase on Ireland's existing renewable capacity at the time. Although 3GW of projects were eligible to compete, only 1GW applied to the auction.



## Solar Power Bank 10000 mAh

Ensure your devices are charged with a 10,000mAh Solar power bank, an excellent value for a premium battery that can be used daily. Ferrybank, Co Waterford, Ireland, X91 CR94. Phone: +353 89 4681 937. Email: [hello@powerbanks.ie](mailto:hello@powerbanks.ie). SCROLL ...

## Is It Worth Getting A Battery With Solar Panels in Ireland? A

According to PureVolt Solar, a typical solar storage battery that can store about 5.1kWh of power can add around EUR2,400 - EUR2,800 to the cost of a PV solar panel installation. However, it's important to note that the cost can vary

depending on the type and size of the battery, as well as the specific installation.

**ESS**



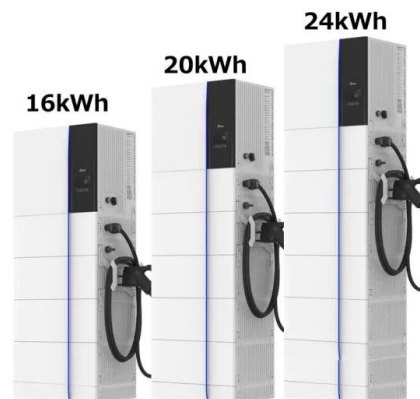
Solar , SSE Renewables

Battery storage; Solar. Pages in this section. Pages in this section: Bypass Solar Solar is an essential part of the UK and Ireland's current and future energy mix. In early 2022 we announced details of our first solar project - a 30MW solar ...



Powerwall , Tesla Ireland

Powerwall is a battery that stores energy, detects outages and automatically becomes your home's energy source when the grid goes down. Unlike generators, Powerwall keeps your lights on and phones charged without upkeep, fuel or noise. Pair with solar and recharge with sunlight to keep your appliances running for days.



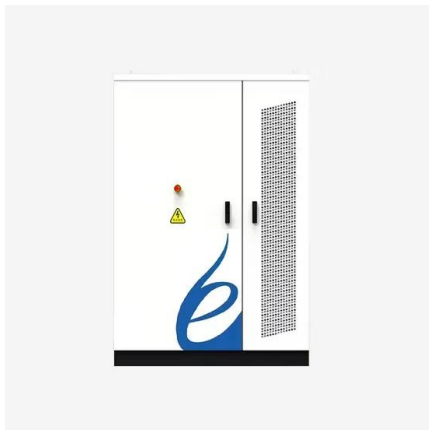
**Eir Solus**

Eir Solus is a leading Irish owned renewable developer, working to deliver solar energy and battery storage projects across Ireland, helping the country reach our ambitious 2030 renewable energy targets. Eir Solus has over 200 + MW of ...



## Microgeneration & Feed-in Tariffs in Ireland for Solar Panel ...

Therefore, investing in a storage battery to save up power for a later date made sense. However, solar storage batteries are expensive, adding up to EUR2,500 to the price of an installation. Now that you can get paid for your spare energy, the need to invest in a storage battery has reduced. Will a storage battery reduce your feed-in payments?



## Ireland backs 960MW of solar in renewable energy support scheme

960MW of solar PV and 374MW onshore wind was procured at an average auction price of EUR96.85 (£81.73) per MWh. Image: Power Capital. Provisional results from the fourth round of the Irish

## BLOG: Battery storage can help unlock Ireland's net zero future

My role at SSE Renewables is to ensure we develop a solar and battery storage pipeline in Ireland as part of SSE 's plans to invest £10m a day on average in net zero infrastructure. Currently in Ireland there is just 750MW of energy storage active on the system, including pumped hydro storage.

12.8V 200Ah



## Solar Panel Battery Storage , Elite Energies Solar Panles

## Ireland

An Unparalleled Solar Panel & Battery System. We are tremendously excited to announce that Huawei have launched one of the most anticipated solar energy storage battery systems on the planet to date.. The brand-new modular lithium solar panels battery is a high voltage component which when coupled with Huawei power inverters and our superior solarwatt solar panels, ...



## Solar , SSE Renewables

Battery storage; Solar. Pages in this section. Pages in this section: Bypass Solar Solar is an essential part of the UK and Ireland's current and future energy mix. In early 2022 we announced details of our first solar project - a 30MW solar farm over a 77-acre site in Littleton, Worcestershire. You can find out more about our Solar



## Grid Solar

Grid Solar is a future-forward solar company that take pride in their high-performing solar installations for homes and businesses in Ireland. Our team at Grid Solar can help you assess your specific needs and find the right energy storage solution for your home.

## Solar Panel Battery Storage - Everything You Need To Know

How Long Do Solar Panel Storage Batteries Last? Typical solar batteries last between five and twenty years. Replacement solar batteries are simple to install and are widely available. Solar batteries today are of such good quality that you might only need to replace them just once or

twice over the lifespan of your solar system.



## Grid Solar

Grid Solar is a future-forward solar company that take pride in their high-performing solar installations for homes and businesses in Ireland. Our team at Grid Solar can help you assess your specific needs and find the right energy ...

## Ireland's Leap Towards Long-Term Energy Storage

The Role of Energy Storage in Ireland's Renewable Energy Goals. Ireland has ambitious renewable energy targets, aiming for 70% renewable electricity by 2030. As solar energy becomes more prevalent, projects like iron-air battery storage can ensure that Ireland's solar installations contribute more effectively to the grid, helping the



## Home Battery Storage Ireland , libbi , myenergi IE ?

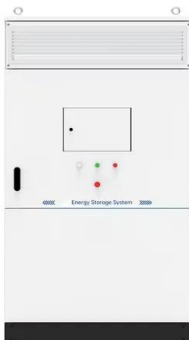
I've got solar already and want to add more, with storage: Install Type New install New install  
 Retrofit Retrofit. Set Up PV and libbi libbi only  
 libbi only: Replace your existing solar inverter with a libbi, which is a combined solar inverter

and battery or add your new solar + libbi alongside your existing system: Solar Charging Energy Grid



## Energy storage's continuing massive growth potential in UK, Ireland

The total operational energy storage capacity in Ireland is over 700MWh, with only 36MWh coming from storage capacity co-located with solar sites. In Ireland, the storage co-located with solar market has a pipeline of 1.5GW/2.4GWh, and this is steadily increasing.



## Battery Storage Systems -- Solar power ireland

The My Reserve Matrix 12kwh battery storage system is perfect for large domestic homes or small businesses which want to use their Solar PV energy more efficiently. The battery comes with a 10 year product warranty at a minimum capacity of 80% and also boosts a round trip efficiency of 93% and 100% usable storage and depth of discharge.

## SolarSmart , Solar Solutions Company , Solar Panels Ireland

So far, up to November 2024, we've installed over 1,000 systems and produced 6.08MW of solar power. These systems prevent 1,740

tonnes of CO2 from being produced every year.



## Energy storage's continuing massive growth potential ...

The total operational energy storage capacity in Ireland is over 700MWh, with only 36MWh coming from storage capacity co-located with solar sites. In Ireland, the storage co-located with solar market has a pipeline of ...

## Solar batteries Ireland , Solar battery costs

According to Purevolt.ie, the total potential savings in one year, based on a 8kWh solar battery installation and on Electric Ireland night and day rates as well as current export payments, are: Savings from solar panel storage: EUR167; Savings from night-rate storage: EUR249; Annual Total Savings: EUR416\* Payback (years): 6



## Contact Us

For catalog requests, pricing, or partnerships, please visit:  
<https://bialydom.kolobrzeg.pl>