

European Solar Energy Storage

How to design a portable energy storage box



How to design a portable energy storage box



Accolades , Strang

STRANG is a Miami-based design firm renowned for advancing the principles of Environmental Modernism in extraordinary locations around the world. This concept, dubbed by the firm, reflects their deep commitment to designing stunning architectural works that maintain an acute awareness of each project's surrounding environment and site.

Deep Dive , Strang

STRANG is a Miami-based design firm renowned for advancing the principles of Environmental Modernism in extraordinary locations around the world. This concept, dubbed by the firm, reflects their deep commitment to designing stunning architectural works that maintain an acute awareness of each project's surrounding environment and site.

18650^{3.7V}
RECHARGEABLE BATTERY
Li-ion
2000mAh



Team , Strang

STRANG is a Miami-based design firm renowned for advancing the principles of Environmental Modernism in extraordinary locations around the world. This concept, dubbed by the firm, reflects their deep commitment to designing stunning architectural works that maintain an acute awareness of each project's surrounding environment and site.

Lessons of Resiliency

Rudolph's Walker Guest House, a diminutive powerhouse of architectural design, hints at the strategy of raising the home above the ground. This strategy was more boldly realized with the design of the Leavengood Residence and the unbuilt design for the Walker Main House.

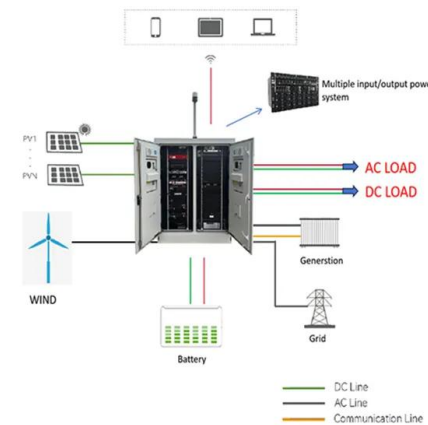


HOW TO DESIGN A BESS (BATTERY ENERGY STORAGE ...

Designing a Battery Energy Storage System (BESS) container in a professional way requires attention to detail, thorough planning, and adherence to industry best practices.

How to design a portable energy storage box

Coccia et al. [64] used erythritol (commercial grade-2.5 kg) in an SC experimental study using a portable box-type SC (Figure 21) with a 4.08 concentration ratio and thermal energy storage based



Services , Strang

Our professional services include Architecture, Interior Design, Interior Decor and Landscape Design. These services may be combined as part of an Integrated Design strategy or engaged independently.

Contact , Strang

This role guides junior designers and interns in creative production and design refinement. The ideal candidate will have a strong design sensibility, deep knowledge of tropical and Florida flora, and a passion for visual storytelling.



Selected works , Strang

STRANG is a Miami-based design firm renowned for advancing the principles of Environmental Modernism in extraordinary locations around the world. This concept, dubbed by the firm, reflects their deep commitment to designing stunning architectural works that maintain an acute awareness of each project's surrounding environment and site.

Energy Storage Equipment Box Design: Key Considerations for

...

Whether you're designing for utility-scale projects or residential energy storage, getting the box right is like building a good foundation - ignore it at your peril .



How to Build a Solar Battery Box: A Comprehensive Guide for Energy

Discover the ultimate guide to building your own solar battery box and harness the power of renewable energy! This article outlines the essential tools and materials you need, along

with a detailed step-by-step construction process.



How to Design the Outdoor Storage Power Box Better?

First of all, the enclosure of the portable energy storage device mainly has the function of maintaining the internal electronic components. In the design of the enclosure, it is necessary to meet the ecological regulations of ...



How to install a portable energy storage box

Installing a BLUETTI Home Energy Storage system is understandably more complicated than using a standard portable power system, as it has to be wired directly into the home's electrical system.

DIY LiFePO4 Battery Box: Your Ultimate Guide to Energy Storage

Building a DIY LiFePO4 battery box is a rewarding project that not only enhances your energy storage capabilities but also allows for customization based on your specific needs.





Key Design Considerations for Energy Storage Containers

Design considerations should include battery capacity, voltage range, and cycle life, with a focus on maximizing energy storage efficiency and system longevity.

How to Design the Outdoor Storage Power Box Better?

First of all, the enclosure of the portable energy storage device mainly has the function of maintaining the internal electronic components. In the design of the enclosure, it is necessary to meet the ecological regulations of the device.



12.8V 100Ah



Five Palms

The use of coral stone and wood cladding extends into this design as well. A mature mango tree was preserved "in place" and serves as a focal point for the site. Large balconies and deep roof projections provide relief from the subtropical climate.

How to Write an Energy Storage Design Plan: A Step-by-Step ...

Let's face it - designing an energy storage system is like trying to teach your grandma to use TikTok. It requires patience, the right tools, and a clear roadmap.



Launching into Architecture

The design of Lake House (Winter Haven, 2011) is likely our firm's first realized expression of this concept. The home is a confident expression of modern architecture that leaves behind any trace of vernacular influences.



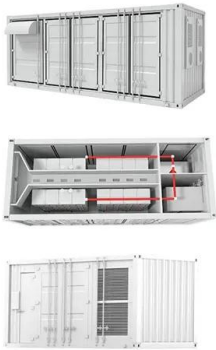
Strang

STRANG is a Miami-based design firm renowned for advancing the principles of Environmental Modernism in extraordinary locations around the world. This concept, dubbed by the firm, reflects their deep commitment to designing stunning architectural works that maintain an acute awareness of each project's surrounding environment and site.



Energy Storage Containers: Portable Power Solutions

These solutions feature a containerized and modular design, allowing users to store energy generated from renewable sources, ensuring a sustainable power supply for both residential and commercial applications without reliance on traditional electrical grids.



HOW TO DESIGN A BESS (BATTERY ENERGY ...

Designing a Battery Energy Storage System (BESS) container in a professional way requires attention to detail, thorough planning, and adherence to industry best practices.



Contact Us

For catalog requests, pricing, or partnerships, please visit:
<https://bialydom.kolobrzeg.pl>