

## European Solar Energy Storage

# How do states rank on solar energy



## Overview

---

California came in as the best state for solar energy for good reason. The state has the largest solar energy usage, with over 28% of its energy deriving from solar. With 146 clear days, the Golden State is the four.

The best state for solar energy: California ranks first overall. The worst state for solar energy: West Virginia ranks last overall. State with the most megawatts of solar installed: Nevada has 230.51 MW of solar energy installed per 100,000 residents.

The best state for solar energy: California ranks first overall. The worst state for solar energy: West Virginia ranks last overall. State with the most megawatts of solar installed: Nevada has 230.51 MW of solar energy installed per 100,000 residents.

California is the best state overall for solar energy, while West Virginia is the worst. Many states fall somewhere in between for many different reasons, including cost, the number of solar jobs, the ratio of solar installations to household and more. If you're looking to install solar panels on.

The following table ranks the best and worst states for solar energy production (shown in thousand megawatt-hours) in April and May, number 1 represents the best state for solar energy production. The table also highlights the solar energy generation percentage change from month to month. Alabama.

Explore the latest solar market insights and policy updates in all 50 states and Washington, D.C. All market data is current through Q4 2024. Please enable JavaScript in your browser to complete this form. The Solar Energy Industries Association (SEIA) is leading the transformation to a clean.

It is still #1 in terms of total installed solar capacity, residential solar capacity, and non-residential distributed solar power capacity (small solar power systems not on homes). However, it is actually 2nd when it comes to utility-scale solar power. When you dig down to per capita capacity.

The golden state is one of the best states for solar in the USA right now, with a high adoption rate and a high solar interest. With over 32,394 MW of installed solar capacity, the state of CA can power more than 8.4 million homes with

renewable energy. The Lone Star State is the second-best state.

Below is a ranking of the top 11 states in solar energy development, based on their installed photovoltaic (PV) capacity: California continues to lead the nation with a cumulative solar PV capacity exceeding 48 GW as of June 2024. The state's success is attributed to progressive policies, including. Which state has the most solar-powered homes?

The state with the most solar-powered homes: Nevada has 426 homes per 1000 households powered by solar. Most affordable state for solar energy: Hawaii solar installation costs account for 12.40% of the state's median household income. 1. California California came in as the best state for solar energy for good reason.

Which states are the best for solar?

California is one of the best states for solar in the USA right now, with a high adoption rate and a high solar interest. It has over 32,394 MW of installed solar capacity and can power more than 8.4 million homes with renewable energy. Texas is the second-best state for solar power.

Which state has the most solar power?

Nevada ranks first for the most solar installations, with 230.51 MW of solar installed per 100,000 residents. Nevada also has the most solar jobs, with 237.97 jobs per 100,000 residents. Nevada has the most solar-powered homes (426 homes per 1,000 households). Nevada ranks second for the most energy run by solar, at 26.17%.

Is Florida a good state for solar?

Florida, known as the Sunshine State, is the third best state for solar energy production in the U.S., with 7,681 MW of clean energy produced by solar panels. This is enough to power over 900,000 Florida homes. The state has enough solar projects to keep 846,000 homes running.

Which state has the most solar jobs?

Nevada also has the most solar jobs, with 237.97 jobs per 100,000 residents. Nevada has the most solar-powered homes (426 homes per 1,000 households). Nevada ranks second for the most energy run by solar, at 26.17%. Nevada also has 158 clear days per year, the third highest of all states.

Which states are a solar leader?

States like California and Arizona are often hailed as solar leaders due to their sunny climates and supportive policies. On the other hand, states with limited sunlight or weaker incentives may struggle to achieve widespread solar adoption.

## How do states rank on solar energy

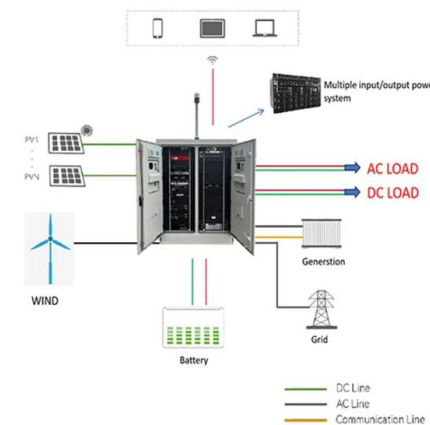


### Texas - SEIA

Texas State Solar Overview As the Texas economy and population continues to grow, electricity consumption has also increased in the energy capital. New solar and storage will be needed ...

### Ranked: Best And Worst States For Solar 2024 - Forbes Home - ...

These metrics allowed us to evaluate states' solar sophistication, states with solid solar job markets and more. Based on this analysis, it's clear which states are the best ...



### The 11 Best and 6 Worst States for Solar

These rankings highlight the dynamic landscape of solar energy development across the United States, with each state implementing a combination of policies and incentives to drive solar adoption and contribute to ...



- ✓ 100KW/174KWh
- ✓ Parallel up-to 3sets
- ✓ IP Grade 54
- ✓ EMS AND BMS

### Arizona State Energy Profile

Arizona ranks among the top five states in the nation in total solar-powered generating capacity from both utility- and small-scale installations,

with nearly 9,000 megawatts. Per capita energy consumption in Arizona is less ...

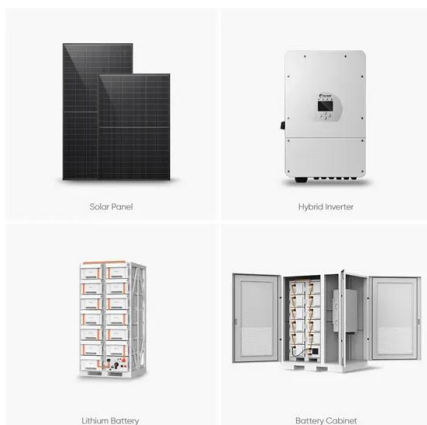
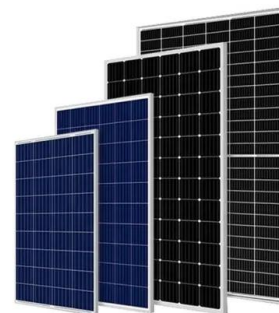


## The Top 5 States in the USA for Solar Power

It is first in utility-scale solar power capacity, but then 4th in residential solar power capacity and 15th in non-residential distributed solar power capacity.

## What are the Best States for Solar Energy? [2025 ...

Find out which states are leading the way in solar electricity generation, and why they're doing so well while some other states fail to meet their potential.



## 10 States Are Leading Solar Energy Installation 2025

U.S. Solar Market Insight Report ® from the Solar Energy Industries Association (SEIA) for some answers. Top 10 States for Solar Energy The Solar Market Insight Report included a ranking of the top states across the ...

## Who's Leading in Renewable Energy by State? , Integrity Energy

Discover the top 10 states leading in renewable energy by generation, investment, and innovation. Learn about who's powering a sustainable future in 2025.



## Solar Energy by State August 2025 , Choose Energy

The following table ranks the best and worst states for solar energy production (shown in thousand megawatt-hours) in April and May, number 1 represents the best state for ...

## The U.S. States That Incentivize Renewable Energy

...

Discover which U.S. states lead in renewable energy programs, with insights into financial incentives driving clean energy adoption across the country.



## Texas Solar News and Statistics - Forbes Home

Key Texas Solar Statistics Texas ranks as the fourth-best state for solar energy. To assess the best and worst states for solar energy as well as what solar incentives are available nationwide, we



## Chart: Which US states generate the most solar and wind energy?

Chart: Which US states generate the most solar and wind energy? A new report tracks how renewable energy is transforming the nation's electricity mix, state by state.



## [Solar State By State - SEIA](#)

Solar State By State Explore the latest solar market insights and policy updates in all 50 states and Washington, D.C. All market data is current through Q4 2024.



## The 11 Best and 6 Worst States for Solar

These rankings highlight the dynamic landscape of solar energy development across the United States, with each state implementing a combination of policies and ...

### GRADE A BATTERY

LiFePO4 battery will not burn when overcharged, over discharged, overcurrent or short circuited and can withstand high temperatures without decomposition.





## Chart: Which US states generate the most solar and ...

Chart: Which US states generate the most solar and wind energy? A new report tracks how renewable energy is transforming the nation's electricity mix, state by state.

## Renewable Energy Production by State (2025)

Western states produced the most renewable energy on average in the third quarter of 2023. This region had four of the top 10 states with the highest renewable energy production, including California in second place.



## How Much Energy Does Your State Produce?

Here at the Energy Department, we take energy data and try to make it easily digestible for Americans everywhere. We've looked into how much you spend on energy and how much energy you consume, and now we're back with a map ...

## Renewable Energy Statistics , MINISTRY OF NEW AND RENEWABLE ENERGY ...

5 ???· Search English ?????? ???? ??????  
 GOVERNMENT OF INDIA ???? ??? ?????????? ??????  
 ?????????? MINISTRY OF NEW AND RENEWABLE  
 ENERGY Home About Us ...

**LIQUID COOLING ENERGY STORAGE SYSTEM**

EMS real-time monitoring  
 No container design  
 flexible site layout



Cycle Life **≥ 8000**      Nominal Energy **200kwh**      IP Grade **IP55**



**The Top 5 States in the USA for Solar Power**

It is first in utility-scale solar power capacity, but then 4th in residential solar power capacity and 15th in non-residential distributed solar power capacity.

**Most Friendly States for Solar Energy (2022 Report)**

Keeping track of which states support solar energy can be difficult. To clear things up, we conducted a study on the most solar-friendly states.



**Top five solar states grow in capacity and investment**

The Solar Energy Industries Association ranks California, Texas, Florida, Arizona and North Carolina as the top five states in solar capacity.

## Best Solar Companies Of 2025 - Forbes Home

Find the best solar companies in our top list. We cover state availability, customer ratings and BBB grades for the best solar installation companies



## The most (and least) solar friendly states in 2024

After New Jersey, Washington D.C. ranks as the second most solar-friendly state, earning a "B". DC's high rating is attributed to potential SREC earnings, retail rate net ...

## Ranked: Best And Worst States For Solar 2024 - Forbes Home -

...

To assess the best and worst states for solar energy as well as what solar incentives are available nationwide, we analyzed six factors: Megawatts of solar installed per ...



## Contact Us

For catalog requests, pricing, or partnerships, please visit:  
<https://bialydom.kolobrzeg.pl>