

European Solar Energy Storage

Guatemala smart storage energy pack



Guatemala smart storage energy pack



ACWA Power wind and battery storage plant to power Middle ...

The European Bank for Reconstruction and Development (EBRD) committed up to US\$229 million financing towards another ACWA Power solar-plus-storage project in Uzbekistan. The 200MW solar, 500MWh BESS project will be built in Uzbekistan's Tashkent region, as reported by Energy-Storage.news in July.

[News Archives](#)

The energy regulator in Greece has cancelled the country's third large-scale energy storage procurement auction due to confusion over limits on how much power capacity could be bid in per participant, with a view to relaunching the scheme. Lithium-ion battery pack prices fall 20% in 2024 amidst 'fight for market share'



[Energy pack specifications](#)

The Smart Storage Battery provides a sufficient duration to transfer the cached data from DDR memory to flash memory, where the data remains indefinitely or until a controller retrieves the ...

[Energy pack options](#)

One energy pack option can support multiple devices. An energy pack option is required for P-class Smart Array controllers. Once installed, the status of the energy pack displays in HPE ...



Energy pack options

Hewlett Packard Enterprise offers the HPE Smart Storage Battery as a centralized backup power source options to back up write cache content on the controllers in case of an unplanned ...

Unlock Endless Energy , Smart and sustainable energy storage

Safe, Smart, and Sustainable Energy Storage . Energy storage is the missing link in the sustainable energy system. Our mission is to unlock endless energy. We make energy storage and optimization solutions built on lithium-ion battery technology for businesses within telecom, commercial, industrial, and residential facilities across the world.



PACK ENERGY

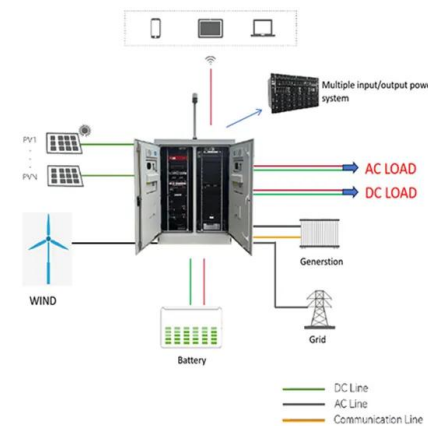
Non-hydro renewables are intermittent, have low power density, and need to be paired with storage The best renewable resources aren't always located near sufficient transmission capacity so renewables need to be developed at

scale with subsidies to ensure cost competitiveness



Huawei LUNA1: The future of home energy storage

The smart string energy storage system range (pictured) offers flexibility, user-friendliness and great design coupled with ease of installation and 5-layer protection. Image: Huawei. The new battery pack automatically ...



Installing an HPE Smart Storage Battery

NOTE: System ROM and firmware messages might display "energy pack" in place of "Smart Storage Battery." Energy pack refers to both HPE Smart Storage batteries and HPE Smart Storage Hybrid capacitors. Prerequisites. Before you perform this procedure, make sure that you have the following items available: T-10 Torx screwdriver



The evolving dynamics of battery energy storage system integrators

S& P Global has released its latest Battery Energy Storage System (BESS) Integrator Rankings report, using data for installed and contracted projects as of 31 July, 2024, showing

the top five globally remains the same as last year's ranking but with a shift in the order.



Deploying Internet of Things (IoT) technology for battery storage

Green energy trends and opportunities . Grid digitalisation means establishing energy storage solutions that can support the integration of renewable energy into smart, flexible power systems. The effects of digitalisation will have an impact on the whole process, from generation and storage, to transmission, distribution and consumption.

'Multi-day' energy storage firm Form Energy raises US\$405 million

Form Energy, founded out of the labs at MIT and headed up by former Tesla Energy executive Mateo Jaramillo, claims the battery can be made cheaply using abundant materials, offering the grid viable 'multi-day' energy storage option. The US\$405 million Series F brings Form Energy's investment raised to date to well over a billion dollars.



Energy pack configuration error

Ensure that the energy pack is fully charged. An



HPE Smart Storage Battery might take up to 120 minutes in a powered compute module or frame to charge enough to support the number of battery-backed devices installed. An HPE Smart Storage Hybrid Capacitor takes only 5 minutes to charge. If the charge level is insufficient to support the battery-backed devices installed in the ...

Installing the energy pack option

The HPE Smart Storage Hybrid Capacitor is only supported on Gen10 and later servers. Only one energy pack is required per server, as it can support multiple devices. Procedure. Power down the compute module. Remove the compute module. Place the compute



Smart Cube AI-optimised battery storage: Smart

The Haier Smart Cube AI-optimised energy storage system enables the smooth integration of solar energy generation, powering appliances and equipment, electric vehicles and low-carbon heating, while giving the user ...

ProLiant DL380 Gen9

Under the Power tab, it says that the Smart Storage Battery has failed still - despite the new ones being installed this morning. I'm going to try and install the latest HPE Service Pack for the Gen9. I'll post the outcome here. edit - installed the latest service pack and ilo update, problem still persists though.





[Energy pack configuration error](#)

Ensure that the energy pack is fully charged. An HPE Smart Storage Battery may take up to 120 minutes in a powered compute module or frame to charge enough to support the number of battery-backed devices installed. An HPE Smart Storage Hybrid Capacitor takes only 5 minutes to charge. If the charge level is insufficient to support the battery-backed devices installed in the ...

[Energy Storage Technology , Caban](#)

Caban's proprietary battery packs and energy storage systems are designed to provide reliable primary power and backup power to critical infrastructure. Caban's battery pack. Meticulously designed, manufactured, and tested in the United States, Caban's lithium-ion batteries outshine other options in every dimension. Quality.



[Smart Energy Guatemala Homepage](#)

Right now you could be wasting up to 40% of all the energy you consume. We can help you to: Reduce Your Energy Costs; Reduce Your Carbon Footprint; Reduce Your Maintenance Costs ...

[Energy storage](#)

Make your energy system more efficient, reliable and eco-friendly with our plug-and-play-solution for smarter energy management. Our fully integrated, battery storage is a ready-to-install ...



California: NextEra goes to state regulator for 1.2GWh BESS

A render of the Corby BESS project. Image: NextEra. NextEra Energy Resources (NEER) has become the next IPP to seek approval of a renewable energy development incorporating battery storage via the California Energy Commission's (CEC's) opt-in process, as permitted under Assembly Bill (AB) 205.

Huawei LUNA1: The future of home energy storage

The smart string energy storage system range (pictured) offers flexibility, user-friendliness and great design coupled with ease of installation and 5-layer protection. Image: Huawei. The new battery pack automatically synchronises its state of charge (SoC) with the existing setup after just one charge/discharge cycle, providing a smooth



Spain increases energy storage target in NECP to 22.5GW by 2030

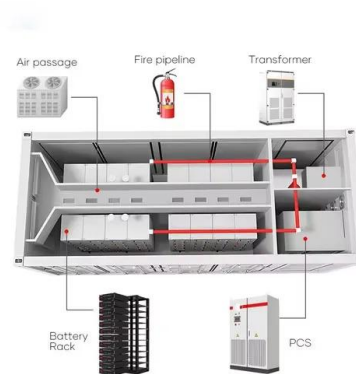
Spain has increased its energy storage target by 2030 to 22.5GW in the latest update of its



National Energy and Climate Plan (NECP). The Spanish government, through the Ministry of Ecological Transition (MITECO), has passed a royal decree that updates the country's NECP targets between 2023-2030. Lithium-ion battery pack prices fall 20%

Reducing battery procurement risk for US energy storage projects

Every edition includes 'Storage & Smart Power', a dedicated section contributed by the Energy-Storage.news team, and full access to upcoming issues as well as the nine-year back catalogue are included as part of a subscription to Energy-Storage.news Premium. About the Author. Jared Spence is the director of product management at IHI Terrasun.



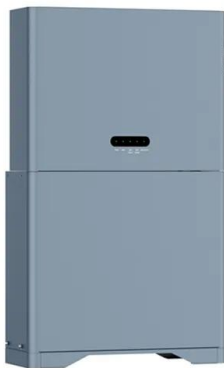
COP29: Pledge to increase global energy storage capacity to ...

The final text of the Energy Storage and Grids Pledge for COP29 recognises the essential role both play in the power sector's decarbonisation, including facilitating the increased integration of renewable energy and providing stable and secure supply of electricity. Lithium-ion battery pack prices fall 20% in 2024 amidst 'fight for

Energy storage

Whether you want to power a microgrid, add reliability to a hybrid system or simply optimise

your business case through smart energy management, we have simple solutions. Plug and play simplicity Make your energy system more efficient, reliable and eco-friendly with our plug-and-play-solution for smarter energy management.



Energy Storage System , 5-in-one Home ESS , Sigenergy

Integrating Solar Inverter, EV DC Charger, Battery PCS, Battery Pack, and EMS into one powerful energy system - this is our revolutionary 5-in-One Home ESS. Simplified to give you a smart ...

News Archives

The energy regulator in Greece has cancelled the country's third large-scale energy storage procurement auction due to confusion over limits on how much power capacity could be bid in per participant, with a view to ...



Tesla revealed as only AAA-Rated supplier in new Battery ...

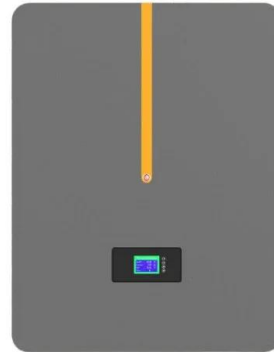
...

A 100MW/400MWh BESS project featuring Tesla Megapack units in California, US. Image: Arevon Asset Management. As the Battery StorageTech Bankability Ratings Report launches, providing insights and risk analysis on the leading global battery energy storage systems (BESS) suppliers,

PV Tech Research market analyst Charlotte Gisbourne offers an ...

EU approves EUR180m for 1.2GWh energy storage rollout in Lithuania

The EU recently approved EUR1.2 billion for energy storage Poland under the TCTF, as covered by Energy-Storage.news, and in mid-2023 approved amounts under the TCTF in Hungary and Slovenia. Panelists at this year's Energy Storage Summit Central and Eastern Europe (CEE) in September described Hungary's scheme as one of the most advanced in



LG Energy Solution: 'Fully committed' to US battery storage market

LG Energy Solution's exhibition stand at RE+ 2024. The company was among those that brought a full-size replica of its BESS container solution to the event. Image: Andy Colthorpe / Solar Media. LG Energy Solution VP Hyung-Sik Kim and CEO of system integrator LG ES Vertech Jaehong Park speak with ESN Premium.

India's first 24/7 solar-powered town enabled

India's first 24/7 solar-powered town enabled with battery storage and smart controls. By Andy Colthorpe. June 7, 2022. Central & East "Learn about India's current and future business models for energy storage," with Clean Horizon and guest speakers from Solar Energy Corporation of India (SECI) and Customized Energy Solutions



18650 3.7V
RECHARGEABLE BATTERY Li-ion
2000mAh



Energy Pack?????

Hewlett Packard Enterprise ??????????????????????
??
???????????? HPE Smart?????????????????????????????
???????????? HPE iLO ?Energy Pack????????

Contact Us

For catalog requests, pricing, or partnerships, please visit:
<https://bialydom.kolobrzeg.pl>