

European Solar Energy Storage

Finland pv panels prices



Overview

Prices for grid-connected PV installations range from 1.000 Euro/kW (>1 MW) to 1,300-2.000 Euro (< 10 kW). PV offgrid-systems with battery range from 3.500 Euro/kW (>1 kW) to 5,000 Euro/kW (< 1kW).

Prices for grid-connected PV installations range from 1.000 Euro/kW (>1 MW) to 1,300-2.000 Euro (< 10 kW). PV offgrid-systems with battery range from 3.500 Euro/kW (>1 kW) to 5,000 Euro/kW (< 1kW).

The price of one solar panel varies depending on the type, power and manufacturer. Prices can vary from around 100–300 euros per panel. However, this does not include other costs such as the inverter, installation or possible support structures.

Explore Finland solar panel manufacturing landscape through detailed market analysis, production statistics, and industry insights. Comprehensive data on capacity, costs, and growth. Home.

We show a moderate rate of returns (1.0% in Northern and 1.4% in Southern Finland) for the PV system investments with time-of-use hot water heating. Optimized hot water heating increases the.

We deliver and install solar panels in most regions of Finland. At present, the excluded regions are Lapland and Åland. We make it easy for you to take advantage of solar panels, and we ensure that your solar panels start producing electricity as expected. We also monitor the production of the solar panels throughout their lifespan.

Finland pv panels prices

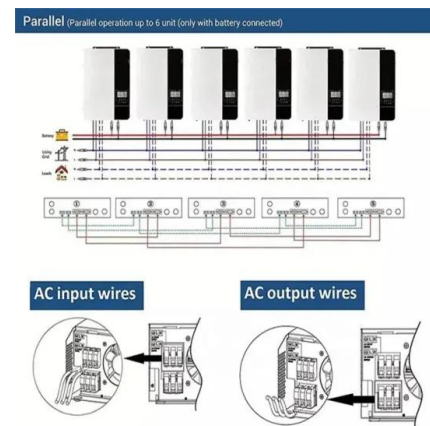


Testing to start on 100 MWh sand-based thermal battery in Finland - pv

Finnish startup Polar Night Energy is building an industrial-scale thermal energy storage system in southern Finland. The 100-hour, sand-based storage system will use crushed soapstone, a by

Global solar module prices stable-to-firm as markets wind down ...

19 ????· FOB China: The Chinese Module Marker (CMM), the OPIS benchmark assessment for TOPCon modules from China held steady this week at \$0.087/W Free-On-Board (FOB) China, with price indications between



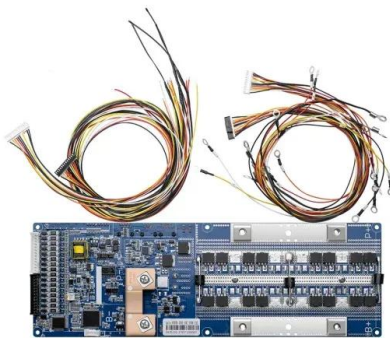
U.S. distributed generation solar panel prices decline on oversupply

10 ????· Anza said prices averaged \$0.255 per watt in November, down from the summer high of \$0.275 per watt. Module prices on Anza's platform started 2024 around \$0.29 per watt. The pricing data is based on DG list prices from over 35 module vendors, equating to more than 95% of the U.S. module supply, said Anza.

20 Biggest Solar Projects in

Finland

The photovoltaic plant in the Helsinki district of Kivikko within Finland has about 3,000 solar panels. Solar energy experts at essay writer help explain that these panels cover approximately one hectare on Ski hall's roof, making it one ...



Solar module prices may reach \$0.10/W by end 2024 - pv ...

Solar module prices may approach the threshold of \$0.10/W by the end of 2024 or eventually in 2025, according to Tim Buckley, director of Australia-based think tank Climate Energy Finance (CEF)

National Survey Report of PV Power Applications in FINLAND

...

2 COMPETITIVENESS OF PV ELECTRICITY 2.1 Module prices Finland is a net-importer of PV modules. The modules are mainly imported from Eastern Asia. The prices were collected from on-line shops. They prices represent the price of multiple panels (~10-30), and are given in Table 5 without VAT. Table 5: Typical module prices for a number of years



Testing to start on 100 MWh sand-based thermal ...

Finnish startup Polar Night Energy is building an industrial-scale thermal energy storage system in southern Finland. The 100-hour, sand-based storage system will use crushed soapstone, a by



Finland

Finland's stated climate policy entails a nearly emission-free electricity sector by 2030. Enforcing such a policy roadmap would require a focus on solar as among the renewable power generation options.



Solar PV potential in Finland by location

So far based on Solar PV Analysis of 38 locations in Finland, we've discovered that the ideal angle to tilt solar PV panels in Finland varies between 57° from the horizontal plane facing South in Ivalo and 49° from the horizontal plane facing South in Karis. These tilt angles are optimised for maximum annual PV output at each location for

National Survey Report of PV Power Applications in FINLAND 2016

National Survey Report of PV Power Applications in FINLAND 2016. August 2017; National trends in system prices (current) for different applications - local currency. presented in Table 6



Photovoltaic Panel Prices

5kw All-In-One System with 5kWh Lithium Battery and 4 x 550w PV Panels (2.2kw total power charge) from R59,150: 5kw All-In-One System with 5kWh Lithium Battery and 8 x 550w PV Panels (4.4kw total power charge) from R78,800: 8kw All-In-One System with 10kWh Lithium Battery and 12 x 550w PV Panels (6.6kw total power charge) from R148,900

Solar panels and solar energy in Finland

The price of one solar panel varies depending on the type, power and manufacturer. Prices can vary from around 100-300 euros per panel. However, this does not include other costs such as the inverter, installation or possible ...



Solar energy in Finland

Solar panels in Helsinki. Solar energy in Finland is used primarily for water heating and by the use of photovoltaics to generate electricity. As a northern country, summer days are long and winter days are short. The PV capacity of Finland was (2012) 11.1 MW p. Solar power in Finland was (1993-1999) 1 GWh, (2000-2004) 2 GWh and (2005



Solar energy and solar electricity in Finland , LUT University

In Southern Finland, a solar panel with a surface area of one hectare has an energy production potential equivalent to 330 hectares of forest, which has an annual yield of ten cubic meters per hectare. "Converting the radiant energy of the sun to electricity with photovoltaic cells is 200-400 times more efficient than forest biomass



Work underway on Finland's largest PV system

Helsinki Energy Company Helen has begun planning work on what will become Finland's largest PV system. Customers will rent the panels for EUR 4.40 a month.

Solar Power Just Miles from the Arctic Circle? In Icy ...

In 2015, the 1,604 solar photovoltaic (PV) units made Kaleva Media's rooftop the most powerful photovoltaic solar plant in Finland, and indeed in all of Scandinavia's north country.



Solar Panel Price Comparison : r/SolarDIY

Right now the best prices I can get for a 400+ watt bifacial panel, in 20'ft/6.1m shipping container wholesale prices (about 10 pallets, or 320 panels) is around \$0.245/watt. In March it was closer to \$0.262.

Finland's gold rush: navigating the solar landscape

When Solnet Group started implementing PV projects, in 2014, solar was not deployed much in Finland and was not as well-known as it is today. There was also not the demand present.



Top 3 monocrystalline pv panels Manufacturers In Finland

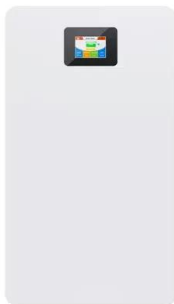
In summary, the top 3 manufacturers of monocrystalline PV panels in Finland are Savo-Solar Oyj, Valoe Corporation and Naps Solar Systems Oy. These companies have established themselves over the years as top-rated solar panel manufacturer that serve a broad spectrum



of purposes which allows them to be positioned among the big players in Finland

Finland reaches for the solar switch

The price of solar panels has plunged by 80 percent since 2008, while their efficiency has risen. In 2014 Germany generated more than 6 percent of its electricity from solar. Finland has several aces up its sleeve: solar panels produce more efficiently at cool temperatures and in clean, dustless surroundings. And photovoltaic panels are

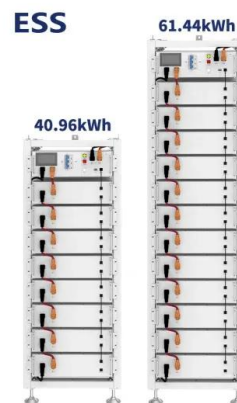


National Survey Report of PV Power Applications in FINLAND 2019

It describes the status and progress of solar PV in Finland in 2019. , Find, read and cite all the research you need on ResearchGate Table 8 give the price of multiple panels typically deliv

Top 3 monocrystalline pv panels Manufacturers In Finland

The monocrystalline PV panels deliver superior performance and quality, featuring high efficiency levels combined with a 25-year production warranty to meet customer expectations of efficient investment. Top 3 Best Monocrystalline Solar Panel Manufacturer in Finland. The top monocrystalline solar panel manufacturers in Finland.





Balcony plug-and-play photovoltaic systems in Finland? : r/Finland ...

Electricity prices in Finland are much lower compared to Germany, probably only half of it, so financial amortization will take much longer. It's convenient for tenants because they can't influence the owners plans to install panels on the roof, and the balcony panels are quick to remove when moving out of an apartment.

Solar potential in Helsinki

At the same time, prices of photovoltaic modules have drastically decreased, nearly 90% since 2010, and electricity generated by photovoltaics has reached cost parity with wholesale market prices in California, China and parts of Europe (Financial Times 2019.) In Finland, solar power has been utilized successfully for example by grocery



Solar module prices may reach \$0.10/W by end 2024 - ...

Solar module prices may approach the threshold of \$0.10/W by the end of 2024 or eventually in 2025, according to Tim Buckley, director of Australia-based think tank Climate Energy Finance (CEF)

Finland - pv magazine International

Finland's Wartsila Energy has released a new turnkey battery energy storage system (BESS) with new fire-safety features. September 5, 2024
 Ev Foley Posts navigation



pv dex: module price continues to decline in Europe

Released by solar wholesaler sun.store, the pv dex report for October showed the biggest price decline in n-type monofacial modules, with a 15% drop from September to an average of EUR0.098/Wp

Tax incentives and falling prices: Finland develops solar

Tax incentives and falling prices: Finland develops solar electricity. 01/04/2018 Prices for solar installations fell by more than 10 percent in one year. The self-consumption of smaller installations is exempt from grid charges and electricity taxes, while municipalities and companies receive investment subsidies. PV electricity



[Solar panels for your home](#)

Solar panels can produce a lot of the electricity you need, from spring until autumn. We deliver and install solar panels in most regions of Finland. At present, the excluded regions are Lapland and Åland. The tax-deductible part is 40% of the installation costs of the solar power system's total price, while your own contribution

is

To Strive forward No Energy Waste



- ✓ All in one
- ✓ 100-215kWh High-capacity
- ✓ Intelligent Integration

20 Biggest Solar Projects in Finland

The photovoltaic plant in the Helsinki district of Kivikko within Finland has about 3,000 solar panels. Solar energy experts at essay writer help explain that these panels cover approximately one hectare on Ski hall's roof, ...



Solar PV Analysis of Espoo, Finland

Ideally tilt fixed solar panels 49° South in Espoo, Finland. To maximize your solar PV system's energy output in Espoo, Finland (Lat/Long 60.1977, 24.6774) throughout the year, you should tilt your panels at an angle of 49° South for fixed panel installations.

Solar PV Analysis of Vantaa, Finland

Ideally tilt fixed solar panels 49° South in Vantaa, Finland. To maximize your solar PV system's energy output in Vantaa, Finland (Lat/Long 60.2641, 24.7892) throughout the year, you should tilt your panels at an angle of 49° South for fixed panel installations.



Contact Us

For catalog requests, pricing, or partnerships, please visit:
<https://bialydom.kolobrzeg.pl>