

European Solar Energy Storage

Ennopro group limited Eswatini



Overview

Who is ennopro group?

EnnoPro Group integrates industrial know-how, research and development, business experience and high-tech trends while specializing in manufacturing assistive technology, special automotive accessories, battery products and energy solutions along with dedicated customer service.

Are ennopro products compatible with industrial and legal requirements?

Certified by all major constitutions and international standardization networks, EnnoPro products are compatible with industrial and legal requirements to guarantee first-class products to its customers.

Why does ennopro group invest a million dollars in R&D?

Boosting five brands under its roof, EnnoPro Group invests more than a half a million dollars in R&D to bring more innovative ideas to its adopted markets and a reliable cooperation to its partners.

Where is ennopro made?

EnnoPro operates at four factories in mainland China and its headquarter office in Shenzhen City neighbors all major tech brands and events in the heart of Asia.

What makes ennopro a good brand?

Over a decade, EnnoPro brands gained vast reputation not only on their high quality standards or crafted customer service, but also being an environmentally and budget friendly solution as a manufacturer in more than 60 countries in Americas, Europe, Australia, Asia, Middle East and Southern Africa territories.

Silicone Valley, Shenzhen City - a leading provider of professional technologies, which dedicated to bring most valuable and customized ...



- TELECOM CABINET
- BRAND NEW ORIGINAL
- HIGH-EFFICIENCY



EnnoPol

EnnoPol. EnnoPol's emblem to produce durable and accurately crafted battery packs for two-way radios & surveillance equipment is renowned worldwide. The brand also boosts OEM operational batons, cuffs, helmets, flashlights, projectors and batteries along with hybrid drone, camera and monitoring systems integrations.

EnnoPro Group , AT Observatory

EnnoPro Group integrates industrial know-how, research and development, business experience and high-tech trends while specializing in manufacturing assistive technology, special ...



EnnoPro Brands

A brand of EnnoPro Group Limited. The company deals with various batteries including cells, packs and power banks while delivering outstanding quality and impeccable products. GlassOuse Assistive Device was founded - 2016. An ...

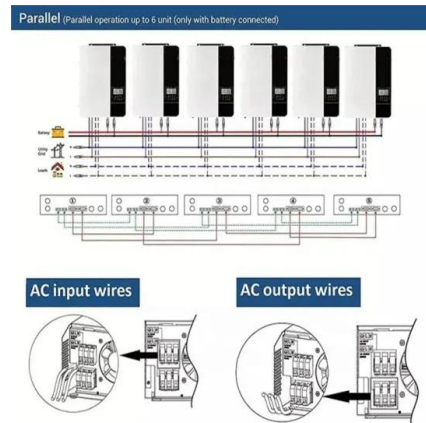
[EnnoPro Group Limited , LinkedIn](#)

EnnoPro Group Limited , 537 follower su LinkedIn. Innovation Professionals based in Shenzhen CEBA Battery , EnnoCar , EnnoPol , EnnoTool , GlassOuse Assistive Device , EnnoPro Group, headquartered in Shenzhen, China, is a leading manufacturer specializing in assistive technology, special automotive accessories, battery products, and energy solutions.



Mehmet Nemo

Mehmet Nemo Turker is the founder and CEO of EnnoPro Group Limited - professional manufacturer of EnnoCar Hybrid Batteries, GlassOuse Assistive Device, EnnoTool Battery Packs, EnnoPol Batteries & CEBA Storage Solutions. The company is headquartered in Shenzhen, China - A global city that also home big tech companies like Huawei, Tencent, DJI



Ennopro

EnnoPro Group integrates industrial know-how, research and development, business experience and high-tech trends while specializing in manufacturing assistive technology, special automotive accessories, battery products and ...



48V 100Ah

[EnnoPro Group Limited , LinkedIn](#)

EnnoPro Group Limited , 532 followers on LinkedIn. Innovation Professionals based in Shenzhen CEBA Battery , EnnoCar , EnnoPol , EnnoTool , GlassOuse Assistive Device , EnnoPro Group, headquartered in Shenzhen, China, is a leading manufacturer specializing in assistive

technology, special automotive accessories, battery products, and energy solutions. Operating from four ...



EnnoPro Group Limited

EnnoPro Group Limited , 510 followers on LinkedIn. Innovation Professionals based in Shenzhen CEBA Battery , EnnoCar , EnnoPol , EnnoTool , GlassOuse Assistive Device , EnnoPro Group, headquartered in Shenzhen, China, is a leading manufacturer specializing in assistive technology, special automotive accessories, battery products, and energy solutions. Operating from four ...



Mehmet Nemo T.

Multi-language speaker, battery specialist, electronic designer, trade consulter... · Experience: EnnoPro Group Limited · Education: Shenzhen Polytechnic · Location: Shenzhen · 500+ connections on LinkedIn. View Mehmet Nemo T.'s profile on LinkedIn, a professional community of 1 billion members.



EnnoPro Group

EnnoPro Group is a holding company that researches, develops, and produces battery products and automotive accessories. Shenzhen, Guangdong, China; 51-100; Private; Legal Name EnnoPro Group Limited; Company Type For Profit; Contact Email info@ennopro ; Phone Number +86 75589205835; Lists Featuring This

Company.



[EnnoPro Group Limited , LinkedIn](#)

EnnoPro Group Limited , 525 seguidores en LinkedIn. Innovation Professionals based in Shenzhen CEBA Battery , EnnoCar , EnnoPol , EnnoTool , GlassOuse Assistive Device , EnnoPro Group, headquartered in Shenzhen, China, is a leading manufacturer specializing in assistive technology, special automotive accessories, battery products, and energy solutions.

About Us

Our History As the high demand over both traditional and innovative energy solutions, our company started to produce high-end batteries in 2010 to meet long term demands of the customers. After its establishment, CEBA Battery set out a wide range of primary and rechargeable batteries with an excellent customer service and moved the headquarters from ...



[EnnoPro Group Limited , HiredChina](#)

EnnoPro Group integrates industrial know-how, research and development, business experience and high-tech trends while specializing in manufacturing military equipment, assistive ...



????? ?????

Ennopro Group Limited ??????:????? ????????,
 ?????? ??? ?????, ?????? ?????, ??? ??????, ????? eps &
 ?????? ??????,



[EnnoPro Group Limited , LinkedIn](#)

EnnoPro Group Limited , 534 pengikut di LinkedIn. Innovation Professionals based in Shenzhen CEBA Battery , EnnoCar , EnnoPol , EnnoTool , GlassOuse Assistive Device , EnnoPro Group, headquartered in Shenzhen, China, is a leading manufacturer specializing in assistive technology, special automotive accessories, battery products, and energy solutions. Operating from four ...



[GlassOuse Assistive Device](#)

GlassOuse Assistive Device. Glassouse Assistive Device is a brand of EnnoPro Group. This brand proudly takes place in Assistive Technology market around the globe. Glassouse helps people with disabilities everyday by assisting them in using technology such as mobile gadgets, tablets, PCs and smart homes. Day by day

Glassouse aids people with limited hands ...



To Strive forward No Energy Waste



- ✓ All in one
- ✓ 100~215kWh High-capacity
- ✓ Intelligent Integration

EnnoPro Group Limited

EnnoPro Group Limited , 536 followers on LinkedIn. Innovation Professionals based in Shenzhen CEBA Battery , EnnoCar , EnnoPol , EnnoTool , GlassOuse Assisitive Device , EnnoPro Group

Mehmetturker

Founder and CEO of EnnoPro Group Limited Mehmet Nemo Turker. Mehmet Nemo Turker is a multilingual entrepreneur and leading expert in battery development, fluent in Chinese (Cantonese and Mandarin), English, and Turkish. His career is marked by significant contributions to battery technology, particularly within military applications and



CEBA Battery

A purchaser is always quite cautious while purchasing a battery. CEBA is a brand of EnnoPro Group Limited, whose emblem is to produce and provide durable, reliable, and all kinds of high-quality batteries. CEBA has ample experience of the production and exportation of batteries. CEBA was formed in the year 2000 in Hong Kong. And from the day



ENNOPRO GROUP LTD overview

More for ENNOPRO GROUP LTD (13371071)
 Registered office address 11a York Way, London,
 England, N7 9QG . Company status Active
 Company type Private limited Company
 Incorporated on 3 May 2021. Accounts. Next
 accounts made up ...



Company Overview of China Manufacturer

Hybrid Battery, Power Tool Battery, Two Way Radio Battery manufacturer / supplier in China, offering Free Sample OEM 1200mAh 7.5V Ni-CD Rechargeable Battery for Walkie Talkie Saber Mt1000, Li-ion 7.4V 2200mAh Two Way Radio Battery for Vertex Standard Vx-228 Vx-230 Vx-231 Vx234, 2200mAh 2600mAh 3400mAh Battery Pack for Vertex Standard Xv-350, Xv-351, Xv ...

Contact From:

Additional Information : EnnoPro Group Limited received investment from Qianhai EnnoPro. Our company integrates research and development, production, product market and service, and specializes in hands-free device for disabled people, batteries and ...

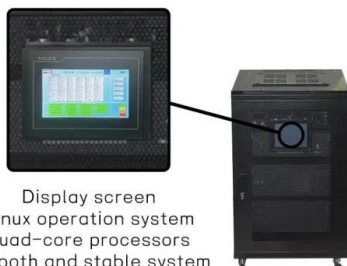


Leila Echo

Experience: EnnoPro Group Limited · Location: Hong Kong SAR · 500+ connections on LinkedIn. View Leila Echo's profile on LinkedIn, a professional community of 1 billion members.

What is Lorem Ipsum?

Lorem Ipsum is simply dummy text of the printing and typesetting industry. Lorem Ipsum has been the industry's standard dummy text ever since the 1500s, when an unknown printer took a galley of type and scrambled it to make a type specimen book.



Display screen
 Linux operation system
 quad-core processors
 smooth and stable system

EnnoPro Group Limited

EnnoPro Group Limited , 502 ? LinkedIn
 ???Innovation Professionals based in Shenzhen
 CEBA Battery , EnnoCar , EnnoPol , EnnoTool ,
 GlassOuse Assistive Device ,

EnnoPro Group: Contact Details and Business Profile

EnnoPro Group integrates research and development, manufacturing, product market and services, and specializes in hands-free device for people with disabilities, batteries and cells, ...



- IP65/IP55 OUTDOOR CABINET
- OUTDOOR MODULE CABINET
- OUTDOOR ENERGY STORAGE CABINET
- 19 INCH

Contact Us

For catalog requests, pricing, or partnerships, please visit:
<https://bialydom.kolobrzeg.pl>