

European Solar Energy Storage

Energy storage power station access solution



Energy storage power station access solution

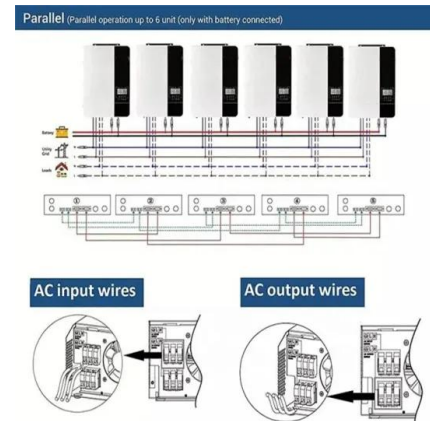


A Simple Guide to Energy Storage Power Station Operation and ...

In this blog post, we'll break down the essentials of energy storage power station operation and maintenance. We'll explore the basics of how these systems work, the common challenges they face, and the best practices to keep them running efficiently.

Energy Storage Technologies for Modern Power Systems: A ...

Energy storage technologies can potentially address these concerns viably at different levels. This paper reviews different forms of storage technology available for grid application and classifies them on a series of merits relevant to a particular category.



The role of energy storage systems for a secure energy supply: A

Energy storage systems will be fundamental for ensuring the energy supply and the voltage power quality to customers. This survey paper offers an overview on potential energy storage solutions for addressing grid challenges following a ...

Energy storage

SLB explores new and better ways to drive energy storage. Through advanced development and deployment of tech and strategic partnerships we help power our future sustainably, reliably, and at scale. A solution to secure your access to energy where you need, when you need it.



Sample Order
UL/KC/CB/UN38.3/UL



What Energy Storage Solutions Do Power Stations Use? A Deep

...

The answer lies in energy storage systems - the unsung heroes of modern electricity grids. These technologies act like giant "charging banks" for the power grid, storing excess energy during low-demand periods and releasing it when demand spikes. Let's unpack the most common solutions powering today's energy revolution .

Battery Energy Storage Systems

Rising hub utilization leads to higher demand for power and plugs. The Kempower Power Booster provides a scalable solution for new and existing EV charging hubs.



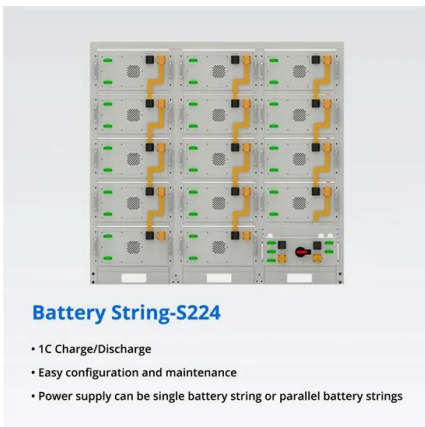
Energy Storage Solutions , EV Charging Solutions

ATESS provides customized solar solutions, including energy storage and EV charging, to meet commercial and residential needs for energy storage power supply.



Energy storage

SLB explores new and better ways to drive energy storage. Though advanced development and deployment of tech and strategic partnerships we help power our future sustainably, reliably, and at scale. A solution to secure your access ...



Battery storage power station - a comprehensive guide

These facilities play a crucial role in modern power grids by storing electrical energy for later use. The guide covers the construction, operation, management, and functionalities of these power stations, including their contribution to grid stability, peak ...

Battery energy storage systems , BESS

Battery energy storage systems (BESS) offer highly efficient and cost-effective energy storage solutions. BESS can be used to balance the electric grid, provide backup power and improve grid stability.



How to access energy storage power station?

The advancement in technology has led to a wider range of energy storage solutions, including batteries, pumped hydro storage, and thermal storage. Each type of storage solution offers unique benefits, catering to ...



How to access energy storage power station? , NenPower

The advancement in technology has led to a wider range of energy storage solutions, including batteries, pumped hydro storage, and thermal storage. Each type of storage solution offers unique benefits, catering to specific needs of the grid, from managing peak load demands to providing backup power capabilities during outages.



Contact Us

For catalog requests, pricing, or partnerships, please visit:
<https://bialydom.kolobrzeg.pl>