

## European Solar Energy Storage

# Enepaq tiny bms Ivory Coast



All in one  
**50-500 Kwh**  
Hybird  
System

## Overview

---

What is enepaq tiny BMS?

Enepaq Tiny BMS supports lithium batteries of any chemistry and up to 60 V nominal. Battery capacity from sub-1 Ah to 655 Ah can be managed easily. Tiny BMS measures individual voltages of parallel cell groups and manages switching of load and charger.

How can enepaq help you?

Enepaq can tailor unique firmware and hardware BMS features to align with your unique project requirements. Looking to buy locally?

Check out our network of distributors. Battery Management System (BMS) 150A the Tiny BMS is an essential component of every Lithium battery.

What is tiny BMS?

Tiny BMS measures individual voltages of parallel cell groups and manages switching of load and charger. During charging, cells are balanced by bleeding-off higher cells to accomplish full balance and maintain good health of battery pack. State-of-Charge is calculated as well, and is available via communication bus to be displayed for user.

What is tiny BMS s516 with battery insider software?

Overall, the Tiny BMS s516 with Battery Insider software is a comprehensive and customizable solution for high-current Lithium-ion and LiFePO4 battery management, offering a high degree of control, protection, and monitoring capabilities for demanding applications.

How does the tiny BMS s516 work?

The Tiny BMS s516 is paired with the Battery Insider software, a user-friendly interface that provides comprehensive configuration and monitoring capabilities: Real-time Monitoring: View critical battery parameters like cell

voltages, currents, temperatures, and state of charge. Event Logging: Track BMS events and diagnose potential issues.

## Enepaq tiny bms Ivory Coast

---

### Malta Um Racing Electric Racecar with ENEPAQ Battery Modules



The ENEPAQ Tiny BMS was simply not large enough for all the batteries, besides which it came out after we had finished our design of the mechanical container. Yes, temperature sensors needed custom boards as the Orion thermal expansion modules are suitable only for thermistors. Modifying the temperature sensors to be standard thermistors would

### Faktor Shop , Enepaq Tiny BMS s516 -750A Set

enthält - BMS s516 - 750A, LEM DHAB Stromsensor, Silikonkabel-Kit, USB UART Kabel mit Isolator, Zwei-Punkt-Temperatursensor-Kit. Beschreibung: Battery Management System (BMS) 750A das Tiny BMS ist ein wesentlicher Bestandteil jeder Lithiumbatterie. Enepaq Tiny BMS unterstützt Lithium-Batterien jeder Chemie und bis zu 60 V nominal.

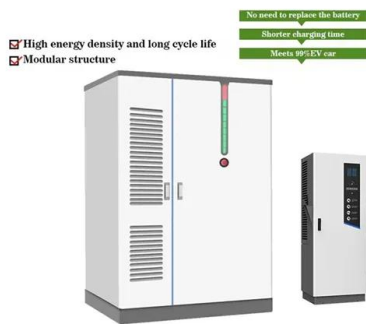


### Faktor Shop , Enepaq Tiny BMS s516 -30A

Enepaq Tiny BMS unterstützt Lithium-Batterien jeder Chemie und bis zu 60 V nominal. Die Batteriekapazität von sub-1 Ah bis 655 Ah kann leicht verwaltet werden. Tiny BMS misst einzelne Spannungen paralleler Zellgruppen und ...

## Quick Start Guide

module is connected, the Tiny BMS bluetooth module should be paired on the PC side (Enepaq bluetooth module pin code is always 0516). After the PC and Tiny BMS is successfully paired, the Battery Insider application can be launched and it will automatically connects to Tiny BMS device.  
 Revision B, 2022-03-24 Page 6



## Battery Management System (BMS)

The Enepaq Tiny BMS s512 v2.1 is an advanced Battery Management and Control System designed for Lithium batteries, including Li-ion and LiFePO4. It optimizes performance, ensures safety, and extends the lifespan of battery packs. Acting as the "brain" of the battery, Tiny BMS intelligently manages and safeguards your battery system.

## **Datasheet**

Tiny BMS Datasheet INTRODUCTION BMS, or Battery Management System, is an essential component of every Lithium battery. Enepaq Tiny BMS supports lithium batteries of any chemistry and up to 60 V nominal. Battery capacity from sub-1 Ah to 655 Ah can be managed easily. Tiny BMS measures individual voltages of parallel cell groups and manages switching of load and



## Communication Protocols

Tiny BMS settings ..24 3.5. Tiny BMS version data  
 Revision C, 2022-03-24 Page 3. Tiny BMS  
 Communication Protocols Chapter 1: Tiny BMS  
 UART communication protocol 1. Introduction



## Faktor Shop , Enepaq Tiny BMS s516 -750A Set

Enepaq Tiny BMS unterstützt Lithium-Batterien jeder Chemie und bis zu 60 V nominal. Die Batteriekapazität von sub-1 Ah bis 655 Ah kann leicht verwaltet werden. Tiny BMS misst ...



## 150A BMS Archives

USB-UART cable to Tiny BMS communication connector and Battery Insider automatically connects to BMS; wakeup BMS from sleep mode and all other tasks that BMS are intended to do for PC and custom systems. Weight: 62 g. HS code: 8544429000; The post USB-UART Communication Cable appeared first on ENEPAQ. USB-UART Communication Cable

## TinyBMSv2.1-750A 4s-16s ENEPAQ , Battery Products , DigiKey ...

Order ENEPAQ TinyBMSv2.1-750A 4s-16s (5124-TinyBMSv2.1-750A4s-16sTB-ND) at DigiKey. Check stock and pricing, view product specifications, and order online. (BMS) ENEPAQ. \$349.00000. Details. UART to CAN converter (For

TinyBMSv2.1) UART to CAN converter (For TinyB.  
 ENEPAQ. \$139.00000. Details. Li2x9p VTC6  
 Battery Pack. BATTERY PACK LI-ION 3



## [BMS Firmware Release Notes](#)

BMS Firmware Release Notes Version Changes  
 v2.3.249 \* Improved: option to select external  
 current sensor type. \* Improved: internal charger  
 detection procedure. Company rebranded to  
 Enepaq v2.3.248 \* New feature: option to select  
 external current sensor type (dual range type  
 DHAB S/133 or cheaper single range type  
 sensors). \* Battery



## **ENEPAQ Tinybms S516 Customizable Battery Management System**

Enepaq Tiny BMS supports lithium batteries of  
 any chemistry and up to 60 V nominal. Battery  
 capacity from sub-1 Ah to 655 Ah can be  
 managed easily. Tiny BMS measures individual ...



## [30A BMS Archives](#)

USB-UART cable to Tiny BMS communication  
 connector and Battery Insider automatically  
 connects to BMS; wakeup BMS from sleep mode  
 and all other tasks that BMS are intended to do  
 for PC and custom systems. Weight: 62 g. HS  
 code: 8544429000; The post USB-UART  
 Communication Cable appeared first on ENEPAQ.  
 USB-UART Communication Cable



## BMS for Eneragus/Enepaq : r/FSAE

Orion offers only a centralized BMS to my knowledge. Eneragus themselves actually offer distributed BMS options, but I haven't used them or met anyone who has. The amount of work setting up an off-the-shelf BMS is probably 1 or 2 orders of ...



## Custom Battery Pack Design Services

ENEPAQ offers a wide range of customizable options, including form design, voltage and capacity specifications, and integration with other components. Our team works closely with you to ensure that the battery pack design aligns with your prototype's form, fit, and function requirements. Quality Assurance: At ENEPAQ, quality is our top

## **ENEPAQ Tiny BMS in moon and asteroid exploration robot**

ENEPAQ Tiny BMS in moon and asteroid exploration robot. Engineering is all about passion for the unknown, patience and a persistence to dive deeper and turn smart ideas into working prototypes. But the path to success

might be bumpy. It is rarely straightforward. ETH Zürich students project - SpaceHopper - is a story with happy ending, but



## Faktor Shop , Enepaq Tiny BMS s516 -150A Set

Enepaq Tiny BMS unterstützt Lithium-Batterien jeder Chemie und bis zu 60 V nominal. Die Batteriekapazität von sub-1 Ah bis 655 Ah kann leicht verwaltet werden. Tiny BMS misst einzelne Spannungen paralleler Zellgruppen und verwaltet die Umschaltung von Last und Ladegerät. Während des Ladevorgangs werden die Zellen ausgeglichen, indem sie

## Datasheet

not directly accessible to the user. A dedicated ENEPAQ UART-to-isolated communication adapter is required to access the data on the isolated stacked network. Enepaq Tiny AFE supports lithium batteries of any chemistry and up to 60V nominal per unit. Up to 20 unit can be connected in series. No limited battery capacity. Tiny AFE measures



## Tiny BMS installed in the Milk Crate Project

About Press Copyright Contact us Creators Advertise Developers Terms Privacy Policy & Safety How works Test new features NFL Sunday Ticket Press Copyright



## Battery Management System (BMS)

The Enepaq Tiny BMS s512 v2.1 is an advanced Battery Management and Control System designed for Lithium batteries, including Li-ion and LiFePO4. It optimizes performance, ...



## **BLOG**

ENEPAQ Tiny BMS in moon and asteroid exploration robot. Engineering is all about passion for the unknown, patience and a persistence to dive deeper and turn smart ideas into working prototypes. But the path to success might be bumpy. It is rarely straightforward. ETH Zürich students project - SpaceHopper - is a story with happy ending, but

## **Battery Management System and Battery Modules Manufacturer**

ENEPAQ Tiny BMS s516 v2.1 Request.  
Manufacturer of Digital Analog Front-End Slave Board . High Voltage AFE Up to 1000 V Request.  
Battery Modules For Custom Battery Pack . New  
...



## TinyBMSv2.1-750A 4s-16s ENEPAQ , Battery Products , DigiKey ...

Order ENEPAQ TinyBMSv2.1-750A 4s-16s (5124-TinyBMSv2.1-750A4s-16sTB-ND) at DigiKey. Check stock and pricing, view product specifications, and order online.

## Faktor Shop , Enepaq Tiny BMS s516 -150A/750A

Enepaq Tiny BMS unterstützt Lithium-Batterien jeder Chemie und bis zu 60 V nominal. Die Batteriekapazität von sub-1 Ah bis 655 Ah kann leicht verwaltet werden. Tiny BMS misst einzelne Spannungen paralleler Zellgruppen und verwaltet die Umschaltung von Last und Ladegerät. Während des Ladevorgangs werden die Zellen ausgeglichen, indem sie



## Enepaq

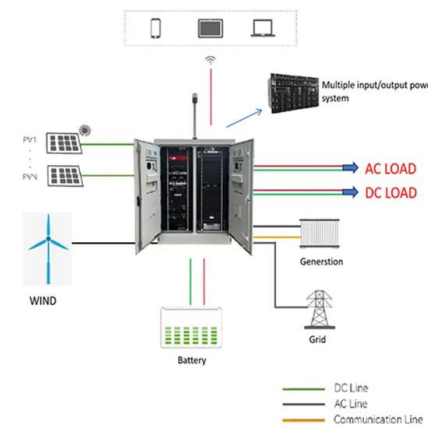
Enepaq , 817 followers on LinkedIn. BMS and battery solutions for rapid prototyping and industrial applications , We are the manufacturer of feature-rich, customizable Battery Management Systems (BMS) and lightest, simplest lithium batteries for short time to market. We are based in Vilnius, Lithuania and



we offer European quality, certified, safe and highly configurable, ...

## User Manual

Tiny BMS User Manual Preface This manual discusses the modules and peripherals of the Tiny BMS s516 device, and how each is used to build a complete battery pack management system and protection solution.



## Datasheet

UART2CAN v1.0 Datasheet INTRODUCTION  
 UART2CAN is a very compact isolated UART to CAN bus converter, designed to be used with Enepaq Tiny BMS (Battery Management System) device. With standard firmware, it provides a robust isolated interface between Tiny BMS and various user side CAN bus devices. Enepaq open CAN bus protocol to communicate with the ...

## Battery Modules For Formula SAE Electric

Battery Module For Formula SAE Electric Student Team! Enepaq is a battery module manufacturing company located in Lithuania, Vilnius city. Enepaq battery modules can be used in a wide range of applications, but since the beginning and the very first battery modules were designed specifically for Formula SAE

teams to become true leaders in electric formula  
races, ...



## Contact Us

---

For catalog requests, pricing, or partnerships, please visit:  
<https://bialydom.kolobrzeg.pl>