

## European Solar Energy Storage

# Electrical training for energy storage batteries



## Overview

---

"Join the BESS (Battery Energy Storage System) Live Training Program to gain hands-on experience and expert knowledge in energy storage solutions. Learn about safety protocols, system design, installation, and maintenance in real time with industry professionals.

"Join the BESS (Battery Energy Storage System) Live Training Program to gain hands-on experience and expert knowledge in energy storage solutions. Learn about safety protocols, system design, installation, and maintenance in real time with industry professionals.

Our course on Battery Energy Storage Systems sets itself apart from other energy technologies with its extensive market reach and diverse revenue opportunities. This training program delivers a thorough and business-focused analysis of these opportunities, empowering participants to analyze and.

This course examines two very important energy storage applications for the future: grid scale electricity and batteries. Learn about the chemistry and materials science behind these solutions, in addition to the economics that influence their development. This course is for all levels of.

As part of our educational offering that also includes workshops and interactive sessions, DNV offers a training that helps you increase your overall understanding of grid-connected energy storage systems. This course on energy storage essentials is intended for professionals wishing to acquire a.

Fundamentals of Battery Energy Storage System (BESS) is a 2-day course that evaluates the costs and investment benefits of using a BESS system. Participants will also learn best practices for energy storage engineering and installation. Battery energy storage systems (BESS) are among the most.

This course is a detailed 3D animated computer-based training course that discusses Battery Energy Storage System Fundamentals. The course is broken into nine modules - Overview, Battery Module, Battery Assemblies, Inverters, Inverter Modules, Battery Charging, Electrical Distribution, Fault.

Energy Storage Training covers a variety of topics in the Energy Storage training area such as the Basics of energy storage systems, the application of energy storage in electrical engineering, the application of energy storage in transportation, energy storage in photovoltaic (PV) systems, energy.

## Electrical training for energy storage batteries

---



### Training courses on Energy Storage Essentials

This course on energy storage essentials is intended for professionals wishing to acquire a comprehensive overview of grid-connected energy storage and energy storage systems, and to have the latest technology, market conditions and issues clearly explained.

### Energy Storage and Battery Technology

On this course, you will learn about the most promising energy storage technologies, such as batteries, and how they can affect the future of the transportation and power sectors.



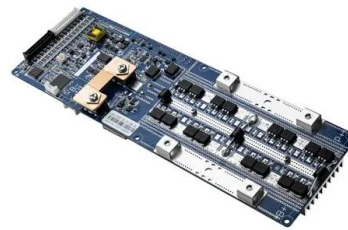
### [Energy Storage Systems Course](#)

This live online, instructor-led Energy Storage Systems Course covers a broad range of subjects, including: battery storage developments, evolution, applications, and business opportunities.

### [Next-Gen. Energy Storage](#)

By enrolling in this course, participants will not only gain theoretical knowledge of various energy storage technologies including green

hydrogen but also practical skills that are directly applicable in the field of battery design and modeling.

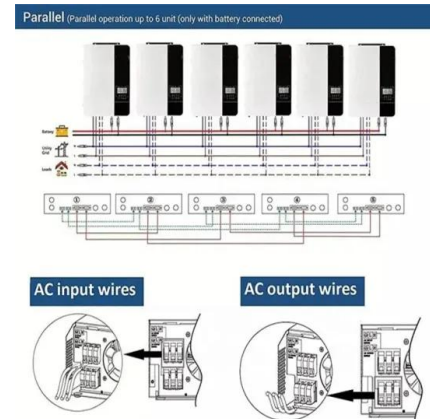


## Battery Energy Storage System Technician Course

A universally recognized online training course within our industry, dedicated to eliminating fatalities, injuries, property, and economic losses caused by fire, electrical, and related hazards.

## Energy Storage , Course , Stanford Online

This course examines two very important energy storage applications for the future: grid scale electricity and batteries. Learn about the chemistry and materials science behind these solutions, in addition to the economics that influence their development.



## Fundamentals of Battery Energy Storage System (BESS)

Fundamentals of Battery Energy Storage System (BESS) is a 2-day course that evaluates the costs and investment benefits of using a BESS system. Participants will also learn best practices for energy storage engineering and installation.

## Energy Storage Training Online and Onsite Live

The Energy Storage training course by Enoinstitute is an interactive course with a lot of class discussions and exercises aiming to provide you with a useful resource for energy storage applications.



## Battery Energy Storage System Fundamentals

This course is designed for any level and is ideal for individuals looking to learn more about Battery Energy Storage System Fundamentals. This course is applicable to power generation, renewable power, and battery energy storage.

### [BESS: Battery Energy Storage System](#)

"Join the BESS (Battery Energy Storage System) Live Training Program to gain hands-on experience and expert knowledge in energy storage solutions. Learn about safety protocols, system design, installation, and maintenance in real time with industry professionals.



## Contact Us

---

For catalog requests, pricing, or partnerships, please visit:  
<https://bialydom.kolobrzeg.pl>