

## European Solar Energy Storage

# Duracell battery for solar panels Guadeloupe



## Overview

---

What are Duracell energy home batteries?

Duracell Energy home batteries are high-quality, premium solar batteries, that will enable you to create an environmentally friendly and sustainable solar battery storage setup in your home. You can use our online quote calculator to help you choose the best solar battery storage set-up for your home.

What is a Duracell home ecosystem battery?

The Duracell Home Ecosystem battery is a powerful, flexible battery offering scalable system sizing, over-the-air software updates, a “load shifting” utility rate savings mode and can be coupled with any style of solar install (i.e., AC coupled or DC coupled).

Who is Duracell energy?

DURACELL Energy has dedicated teams in the UK, South Africa and across Europe with 100+ staff, providing leading R&D, technical and customer support. The DURACELL Energy Smart APP automatically maximises your energy cost savings by integrating time-of-use tariffs, solar, battery storage and EV charger.

Does a Duracell battery work with a solar panel system?

The Duracell battery pairs well with solar panel systems, especially if your utility has reduced or removed net metering, introduced time-of-use rates, or instituted demand charges for residential electricity consumers – in fact, the Home Ecosystem battery can shift modes to maximize savings on complex utility rates.

What is Duracell energy smart app?

The Duracell Energy Smart APP automatically maximises your energy cost savings by integrating time-of-use tariffs, solar, battery storage and EV charger. Module-level auto-balancing. Designed for elegance and performance

providing you with the highest value possible. Which battery is right for me?

.

What is Duracell Power Center?

The frontline of converting solar rays into clean, renewable and sustainable energy. Trusted everywhere, Duracell Power Center's batteries come in a variety of sizes to handle even the most demanding use-cases. Duracell Home Ecosystem products are managed through our app, available on your favorite device.

## Duracell battery for solar panels Guadeloupe

---



### [Products Archive](#)

Hearing Aid Batteries; Technology. Innovation; Global Consumer Sales; Technical Library; For Professionals; Where To Buy; Duracell has brought its reliable power to thousands of families through the Duracell PowerForward program. 100W Solar Panel. December 19, 2022. Power 1000. October 05, 2022. Power 300. October 05, 2022.

## What is the Maximum Number of Solar Panels Allowed UK?

Optimise your solar panels with a Duracell Energy home battery. Spend time working out the right number of solar panels for your home, so that you can create the best home energy system. By choosing a home battery to go with your solar panels, you are optimising the solar panels by storing the energy generated during the day, to be used in the



Sample Order  
 UL/KC/CB/UN38.3/UL



## Duracell Power Center Solar Batteries

On this page, you can find a complete list of solar batteries from Duracell Power Center and compare models side-by-side. Quick facts about Duracell Power Center solar batteries in the EnergySage Buyer's Guide: Number of solar ...

## Duracell Energy Dura5

## 5.12kWh Outdoor Battery Storage

Details Boost your battery performance and your return on investment with quality technology from Duracell Energy. Combining an ultra high-performing battery with a super smart app, this 5.12kWh storage battery is a high-tech solution and offers a quick payback. With a superb battery life and fast charging rates you're



### [Duracell Energy](#)

View your household consumption and the power flowing through you Duracell connected devices, giving you a clear understanding of solar generation, battery usage and grid energy usage. Access your historical energy usage data in daily, weekly, and monthly time periods, so you can understand your household consumption behaviour over time and the

## Duracell Power 500 Portable Power Station

This Duracell 100W Solar Panel harnesses the sun's rays and converts sunlight into electricity. Lightweight and foldable, it offers easy portability and convenience, perfect for making any outdoor destination feel like home.



## Duracell 1,500-Lumen Dual Power Solar Rechargeable Lantern ...

Includes two internal 18650 Rechargeable Batteries and USB Cable; Can be operated by 4D Dry Cell Battery (as primary or back up power; Recharged USB C or Solar Power, (Solar Panel on the Top) 5 Modes: High, Low, Auto Power Saving,



Red Emergency, and Auto On/Off ambient light sensor; USB-Out power for charging other devices

## Duracell enters residential energy storage market

Well known alkaline battery producer Duracell is launching a residential energy storage solution through California-based distributor Power Center+. Kelly Pickerel has over a decade of experience reporting on the ...



## 100W Solar Panel

This Duracell 100W Solar Panel harnesses the sun's rays and converts sunlight into electricity. Lightweight and foldable, it offers easy portability and convenience, perfect to make any outdoor destination feel like home.



## Duracell 5+ Solar Battery DC Coupled 5kW Puredrive

The Puredrive Duracell 5+ is a 5.12kWh Battery, which offers outstanding performance, long lifespan and rapid charging rates. The Duracell 5+ is the ...





## What is a Solar Battery? All You Need to Know

Solar batteries have the additional function of being able to be used in a complete solar energy system, connected to your solar panels, with the ability to convert this energy produced into the energy needed to power a home. A solar battery is essential to optimise the use of your solar panels. Why Use a Solar Panel Battery? Solar panels are a

### Duracell 5+ Solar Battery DC Coupled 5kW Puredrive

DURACELL Energy Smart APP - Automate how and when to charge, store and consume your energy. Cost saving app - Integrate with ALL available time-of-use tariffs TECHNICAL SPECIFICATION. Battery module energy: 5.12 kWh; Useable energy: 4.6 kWh; Max. output power: 100 A; Nominal voltage: 51.2 Vdc; Dimensions: 386 x 150 x 737 mm (W x D x H)



### Power 500

Get Started. Charge the Power Station with the included wall charger, which will take 6-7 hours; using a car charger in the lighter port, which will take 7-8 hours; or with Duracell's Solar Panel (sold separately), which will take around 7 hours depending on the weather.

## What is a Solar Battery? All You Need to Know

Solar batteries have the additional function of being able to be used in a complete solar energy

system, connected to your solar panels, with the ability to convert this energy produced into the energy needed to power a home. A solar battery ...



**TAX FREE**

**ENERGY STORAGE SYSTEM**

**Product Model**  
 HJ-ESS-215A(100KW/215KWh)  
 HJ-ESS-115A(50KW/115KWh)

**Dimensions**  
 1600\*1280\*2200mm  
 1600\*1200\*2000mm

**Rated Battery Capacity**  
 215KWH/115KWH

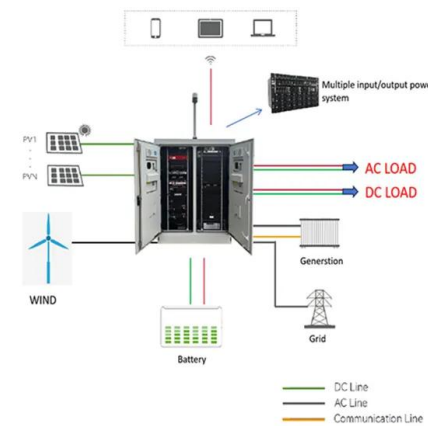
**Battery Cooling Method**  
 Air Cooled/Liquid Cooled

## Duracell 100W Solar Panel for Duracell Portable Power Stations, ...

Harness the sun's rays to make any destination feel like home. This Duracell 100W Solar Panel converts sunlight into electricity. Pair with a Duracell Power Station (sold separately) to access off-grid power that helps you charge your devices and use lights and small appliances.

## Duracell Portable Power Station 500W (515Wh/120V) ...

Amazon : Duracell Portable Power Station 500W (515Wh/120V) Lithium Battery Backup Portable Solar Generator (Solar Panel Sold Separately) for Power Outages, Home Emergency Kits, Camping, Backyard, and Outdoor : Patio, ...



## M-SOLAR PANEL USER MANUAL

scratches on the solar panel surface. 3. Is my M-Solar Panel waterproof? The M-Solar Panel can withstand water splashes and light rain when set up with the cell surface up. Backside fabrics are not waterproof and contact with water should be avoided. Do not leave your solar panel in the rain. Do not immerse your solar panel in water.



## Duracell Power Center battery review: Great ...

While Duracell has been in the battery-making business for nearly 100 years, the company introduced its first home battery storage product in 2016 (Duracell Power Center is the company's authorized licensee).The ...



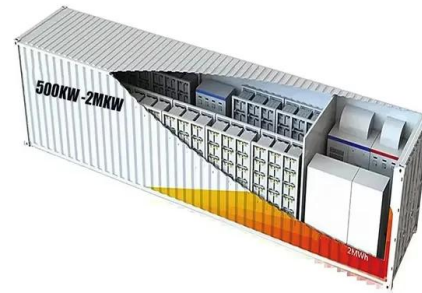
## Duracell Portable Power Station 500W (515Wh/120V) Lithium Battery ...

Amazon : Duracell Portable Power Station 500W (515Wh/120V) Lithium Battery Backup Portable Solar Generator (Solar Panel Sold Separately) for Power Outages, Home Emergency Kits, Camping, Backyard, and Outdoor : Patio, Lawn & Garden (6-7 hours), using Duracell 100W Solar Panel (around 7 hours) or your car lighter port (7-8 hours). Enjoy

## [Max Hybrid 15 kW](#)

The Max Hybrid is fully customizable power with up to 8 stackable 5 kWh batteries per inverter. Fully automated back-up power you can depend on for extended power outages. When you add solar, you can run most of your household's

loads for a week.



## Duracell Energy Dura-i 9KW Hybrid Solar Inverter

An inverter is essential in a solar energy system as it converts the direct current (DC) electricity produced by solar panels into alternating current (AC) electricity that is compatible with the electrical grid. This allows the solar energy to be used to power household and commercial electrical devices.

## Solar Plus Battery Storage 101

Batteries store energy to power our electrical devices, however in the case of the Solar Plus Battery system, these batteries store energy originating from the sun. While many different metals can be used for energy storage, Lithium is the most popular for many reasons: lightweight, large energy capacity, long-lasting charging abilities



## Duracell Power Center Solar Batteries

On this page, you can find a complete list of solar batteries from Duracell Power Center and compare models side-by-side. Quick facts about Duracell Power Center solar batteries in the EnergySage Buyer's Guide: Number of solar



battery models: 8; Battery capacity range: 13.5 - ...

## Duracell Energy Bank , Solar Battery Installers

Verified by the Energy Saving Trust, by linking your Duracell Solar Battery, with Solar Panels and Social Energy, you can reduce your bills by up to 70%. By Pairing your Duracell Energy Bank with a Social Energy Hub, you will receive an exclusive warranty! All Social Energy customers are protected by Social Energy's 10-year, 6,000-cycle



## Power 1000 + 100w Solar Panel

Power Station. Ports: Two USB-A output (5V), two USB-A QC3.0 port output (18W maximum), USB-C PD input/output (100W), 120 AC inverter output (Pure Sine Wave), 12V DC socket port output, two DC ports output (13V), and DC charging port input (12-30V). Dimensions and weight: 13.38 by 9.29 by 8.11 inches; weighs 24.6 pounds. Temperatures: Operating temperature is ...

## Types of Solar Panels ~ Which One is Best for Your Home?

Our home batteries are designed to fit seamlessly into your home and work with your solar panels. Duracell Energy home batteries, EV chargers, and inverters all work together with

our impressive app to give you complete control of your entire household energy system. Embrace a greener tomorrow, with Duracell Energy home batteries today.

**LPR Series 19  
 Rack Mounted**



## Duracell solar battery Dura5 5.12kWh Battery ...

Duracell solar battery Dura5 5.12kW LiFePO4 Battery IP21 (indoor only) #5: PD-5KWH-50V-2G. Duracell5 Data Sheet \*Please note that Dura5 batteries are not compatible with Dura5+ or Puredrive batteries. Wall mounted or floor standing. ...

## Power Christmas Lights with Battery Power (Even Outdoor ...

...

The Duracell G350 and G800 Power Stations are compatible with the G-Solar Panel, a 100W solar panel. Benefits of Solar Charging Solar charging is eco-friendly and cost effective.



## What is a Solar Battery? All You Need to Know

A solar battery draws in the energy produced by your solar panel. It then converts this solar energy from Direct Current DC into Alternating Current AC for the household power system. The solar battery allows energy generated during ...

## The Duracell G800 Power Station

Power Station. To get started, charge the Power Station with the included AC (wall outlet) charging cable (4 hours to charge at a normal charging rate and 2.5 hours for fast charging); car charger in the lighter port (3 hours 24V or 9 hours 12V to charge); or with Duracell's G-Solar Panel, sold separately (10-12 hours to charge on a sunny day).



Deye Official Store

10 years warranty



## The Duracell Home Ecosystem battery complete review

The Duracell battery pairs well with solar panel systems, especially if your utility has reduced or removed net metering, introduced time-of-use rates, or instituted demand charges for residential electricity consumers - in fact, the Home Ecosystem battery can shift modes to maximize savings on complex utility rates. Installing a storage solution like Duracell's with a ...

## Contact Us

---

For catalog requests, pricing, or partnerships, please visit:  
<https://bialydom.kolobrzeg.pl>