

## European Solar Energy Storage

# Does grenada have energy storage projects



## Overview

---

Grenada is procuring a solar or solar-plus-storage project at the Caribbean island nation's main international airport.

Grenada is procuring a solar or solar-plus-storage project at the Caribbean island nation's main international airport.

The energy regulator of Grenada is seeking expressions of interest (EOI) for a solar or solar-plus-storage project at the Caribbean island nation's main international airport. The country's Public Utilities Regulatory Commission (PURC) has issued an early market engagement (EME) announcement.

ciency and renewable energy projects. To date, GRENLEC has assessed five sites on the main island and two o Carriacou for wind farm feasibility. A wind-die-sel hybrid has been discussed for Petite Marti ique, but its development is on hold cheme Grenada hold the remaining 25%. Nearly 99% of el.

The SDIC Grenada shared energy storage project is making this vision tangible through cutting-edge battery technology and smart grid integration. As the global energy storage market balloons to \$33 billion annually [1], this Caribbean initiative stands out as a textbook example of how shared.

The Public Utilities Regulatory Commission (PURC) and the Rocky Mountain Institute (RMI) have entered a landmark partnership aiding the advancement of Grenada's sustainable energy goals. Supported by the Government of Grenada and the Grenada Electricity Services Ltd. (Grenlec), this transformative.

This profile provides a snapshot of the energy landscape of Grenada—a small island nation consisting of the island of Grenada and six smaller islands in the southeastern Caribbean Sea—three of which are inhabited: Grenada, Carriacou, and Petite Martinique. Dive into the research topics of 'Energy.

## Does grenada have energy storage projects

---



### The SDIC Grenada Shared Energy Storage Project: Powering ...

While other storage projects struggle with the "valley of death" between pilot and scale-up, Grenada's model achieved profitability within 18 months - a first for developing nation energy storage initiatives.

### Grenada future of energy storage

The energy regulator of Grenada is seeking expressions of interest (EOI) for a solar or solar-plus-storage project at the Caribbean island nation's main international airport.



### Grenada energy storage peak and valley subsidy

For projects such as user-side energy storage, distributed photovoltaic+storage, and charging & swapping integration projects that have been registered and put into operation in the district, a subsidy of 200

## Does grenada have energy storage projects

Grenada has launched a tender for consultancy

services to support the construction of a battery energy storage system (BESS) at Maurice Bishop International Airport, with expressions of



## Grenada's Quest for 100% Renewable Energy by 2039

The project seeks to integrate three solar photovoltaic generating facilities totalling a 15.1MW capacity and a 10.6MW/21.2MWh Battery Energy Storage System (BESS), with the Grenada Electricity Services Limited ...

## GRENADA ENERGY STORAGE VALLEY Does Grenada ...

Swedish wave energy company Seabased has signed a memorandum of understanding (MoU) with the Government of Grenada and SIDS DOCK to establish Grenada's first utility-scale wave energy park. ???



## Energy generation and storage Grenada

Energy storage sharing can effectively improve the utilization rate of energy storage equipment and reduce energy storage cost. However, current research on shared energy storage focuses on small and medium-sized users while neglects the impact of transmission costs and network losses. Thus, this paper proposes a new

business model for generation

## Grenada's Quest for 100% Renewable Energy by 2039

The project seeks to integrate three solar photovoltaic generating facilities totalling a 15.1MW capacity and a 10.6MW/21.2MWh Battery Energy Storage System (BESS), with the Grenada Electricity Services Limited (Grenlec) providing support for the latter.

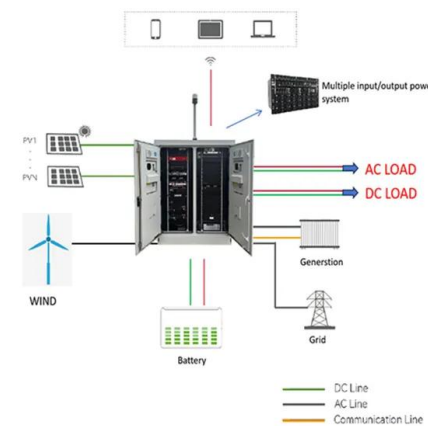


## Grenada Energy Storage Power Station Key Projects and Future ...

The Grenada Energy Storage Power Station projects demonstrate how island nations can lead in energy innovation. By combining solar integration, grid stabilization, and disaster preparedness, this initiative provides a replicable model for sustainable development in ...

### Energy Snapshot

This profile provides a snapshot of the energy landscape of Grenada--a small island nation consisting of the island of Grenada and six smaller islands in the southeastern Caribbean Sea--three of which are inhabited: Grenada, Carriacou, and Petite Martinique.



## Contact Us

For catalog requests, pricing, or partnerships, please visit:

<https://bialydom.kolobrzeg.pl>