

## European Solar Energy Storage

# Do solar panels store energy for night use



## Overview

---

Solar panels store excess energy in batteries during the day for use at night, reducing reliance on the grid. Net metering earns credits for excess solar energy, which can offset grid electricity consumption at night.

Solar panels store excess energy in batteries during the day for use at night, reducing reliance on the grid. Net metering earns credits for excess solar energy, which can offset grid electricity consumption at night.

Well, it's possible because excess energy generated during the day is stored in batteries or accumulated as net metering credits. This allows you to tap into it when the sun goes down. You can power your home at night using the stored energy, reducing your reliance on the grid. By combining solar.

By storing the energy created throughout the day, you can use it when the sun isn't shining - at night. In this article, we'll highlight how. By. There's something ironic about solar energy. Right when we start using the most energy (at night), solar power stops providing. That doesn't have to mean.

Do solar panels work at night?

The short answer is: no, solar energy systems only operate during the day. This is because the power from the sun is key to how a solar panel turns light into electricity. However, that does not mean that solar cannot power your home day and night! Wait, what?

That's.

Unfortunately, it's impossible to generate solar energy at night. Panels can generate electricity only when Sun rays strike at them. However, you can still benefit from solar power at night. If your local power provider supports net metering (the most common Illinois solar incentive), you can sell.

During daylight hours, solar panels absorb sunlight and convert it into electricity. This electricity powers your home's appliances and also charges your batteries for solar panels. These batteries store any excess energy, which

can be used when the sun goes down. At night, solar panels stop. Can solar panels be used at night?

This energy can then be stored and used during nighttime. To utilize solar energy on cloudy days or at night, homeowners can store excess electricity in a solar battery or net metering. How Do Solar Panels Work?

.

Do solar panels save energy at night?

No, they do not. However, there are a few ways that your nighttime power usage can be offset by solar produced during the day, including net metering and battery storage. Both methods offer substantial energy cost savings and can drastically reduce your carbon footprint.

Do solar panels produce electricity at night?

That's right, even though solar panels don't generate electricity at night, they can still be used to power your home or offset the use of grid energy (and the cost that comes with it). In this article, we'll cover how solar panels work and how they can be used to power your home even if they don't produce electricity at night.

Can solar power your home day and night?

However, that does not mean that solar cannot power your home day and night! Wait, what?

That's right, even though solar panels don't generate electricity at night, they can still be used to power your home or offset the use of grid energy (and the cost that comes with it).

Do solar panels generate more energy than you need?

When there are days with a lot of sunlight, your solar panels may generate more energy than you need, but you can store that extra electricity for cloudy days or nights in a solar battery. This method provides greater energy independence and ensures a reliable power source even during power outages.

Can solar panels produce electricity without sunlight?

The simple answer is no. Without sunlight, solar panels can't produce electricity. This is why having an efficient solar panel battery storage system is essential if you want continuous power throughout the day and night. Your home uses stored battery power at night and during cloudy or low-sunlight days.

## Do solar panels store energy for night use

---

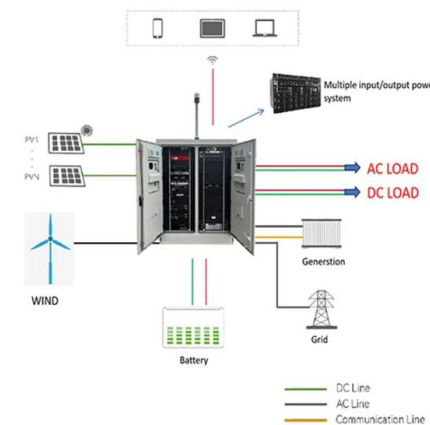


### Do Solar Panels Work at Night? Your Questions Answered!

But do solar panels work at night, or will you need to draw from the power grid for your nighttime energy consumption? The short answer is no; solar panels have photovoltaic cells that trap the sun's rays with their receptors.

### Do Solar Panels Drain Batteries at Night? Discover ...

This is why having an efficient solar panel battery storage system is essential if you want continuous power throughout the day and night. Your home uses stored battery power at night and during cloudy or low ...



### Storing Solar Energy for Nighttime Use

By storing the energy created throughout the day, you can use it when the sun isn't shining - at night. In this article, we'll highlight how to store solar energy for nighttime use.

### Do Solar Panels Drain Batteries at Night? Discover ...

If you're exploring solar energy, one question

probably comes to mind: do solar panels drain batteries at night? As solar power gains popularity, especially for homeowners looking to reduce energy bills and dependence on ...

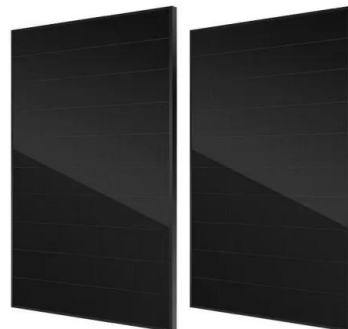


## How Solar Panels Work at Night: An Eye-Opening Guide

In this article, we'll explain how solar panels function, why they don't work at night, and--most importantly--how you can still enjoy solar energy after sunset with the right system setup, including battery storage and smart grid integration.

## Do solar panels work at night? [UK, 2025]

We explore whether solar panels actually produce any electricity at night, how you can make the most of your solar panels after sunset, and an exciting new technology on the horizon.

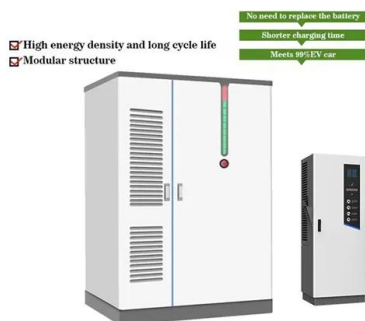


## Do Solar Panels Work At Night?

Bottom line Do solar panels work at night? No, they do not. However, there are a few ways that your nighttime power usage can be offset by solar produced during the day, including net metering and battery storage. Both methods offer substantial energy cost savings and can drastically reduce your carbon footprint.

## Do Solar Panels Store Energy? Myths and Facts ...

As the global landscape transitions toward renewable energy, solar panels and energy storage systems are gaining significant traction. However, many individuals still hold misconceptions about how these ...



## Do Solar Panels Work On Cloudy Days And At Night?

When there are days with a lot of sunlight, your solar panels may generate more energy than you need, but you can store that extra electricity for cloudy days or nights in a ...

## How Solar Panels Absorb and Store Energy

Solar panels are built with materials that interact with the light of solar energy. This enables them to transform the solar energy into electricity. Here's how solar panels absorb and store energy.



## Do Solar Panels Work at Night? Understanding Energy Storage and Night

Can Solar Panels Work at Night? No -- solar panels use sunlight to generate electricity, so they don't produce power after dark. In the UK, solar panels produce electricity for 6 - 17 hours per day, depending on the time of year. In

Winter, when we have shorter days, solar panels generate electricity between 08:30am and 15:30pm.



## Do Solar Panels Store Energy for Night Use?

Solar panels convert sunlight into electricity but don't store energy for nighttime use. Energy can be stored in batteries, allowing use during cloudy weather.



## Do Solar Panels Work At Night?

Solar panels convert sunlight into electricity but don't store energy for nighttime use. Energy can be stored in batteries, allowing use during cloudy weather.

## Debunking the Myths: Do Solar Panels Work at Night?

To provide electricity during the night, solar energy systems typically use energy storage solutions like batteries and power stations to store excess energy produced during the day, which can eventually be used when ...



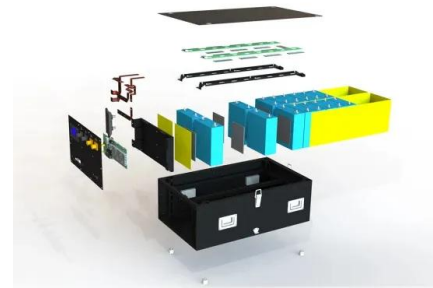
## Debunking the Myths: Do Solar Panels Work at Night?



To provide electricity during the night, solar energy systems typically use energy storage solutions like batteries and power stations to store excess energy produced during the day, which can eventually be used when the sun is not shining.

## Do Solar Panels Work On Cloudy Days And At Night?

When there are days with a lot of sunlight, your solar panels may generate more energy than you need, but you can store that extra electricity for cloudy days or nights in a solar battery.



## Do Solar Panels Work at Night? Your Questions ...

But do solar panels work at night, or will you need to draw from the power grid for your nighttime energy consumption? The short answer is no; solar panels have photovoltaic cells that trap the sun's rays with their receptors.

## Do Solar Panels Drain Batteries at Night? Discover the Truth

This is why having an efficient solar panel battery storage system is essential if you want continuous power throughout the day and night. Your home uses stored battery power at night and during cloudy or low-sunlight days.



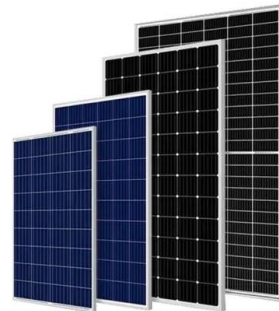
## How Is It Possible to Use Solar Energy From Solar Panels at Night

Solar panels store excess energy in batteries during the day for use at night, reducing reliance on the grid. Net metering earns credits for excess solar energy, which can offset grid electricity consumption at night.



## How Is It Possible to Use Solar Energy From Solar Panels at ...

Solar panels store excess energy in batteries during the day for use at night, reducing reliance on the grid. Net metering earns credits for excess solar energy, which can offset grid electricity consumption at night.



## [How To Use Solar Energy at Night](#)

Solar battery storage systems are a powerful addition to solar panel setups, allowing you to use solar panels at night. While solar light hits panels, they produce DC electricity.



## Contact Us

---

For catalog requests, pricing, or partnerships, please visit:  
<https://bialydom.kolobrzeg.pl>