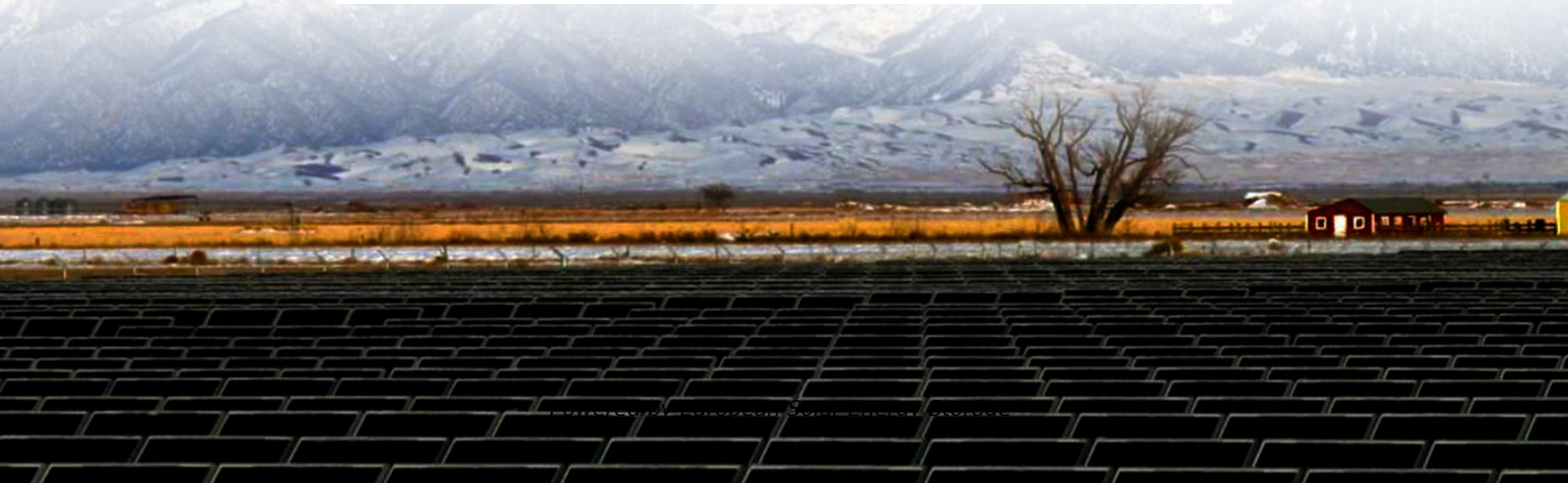


European Solar Energy Storage

Collapsible solar panel container quotation in Luxembourg 2025



Collapsible solar panel container quotation in Luxembourg 2025

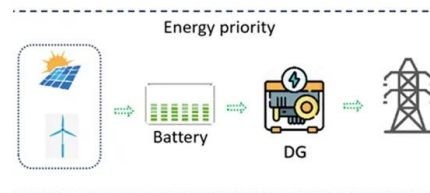


Renovation grants in Luxembourg [Guide 2025].

FAQ on renovation grants in Luxembourg What support is available for energy renovation in Luxembourg in 2025? The Klimabonus is the main form of ...

Collapsible

Something that can be folded down into a manageable size is said to be collapsible, i.e., able to be collapsed. It is used as an adjective, as in "He folded up the collapsible table and put it in ...



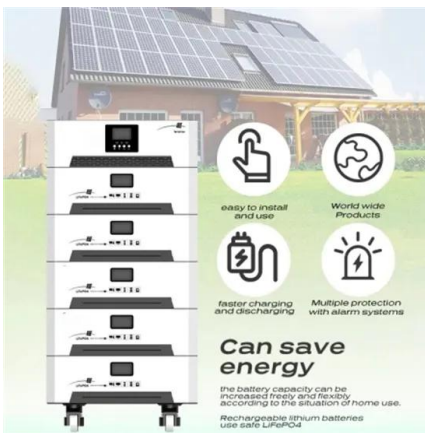
COLLAPSIBLE Definition & Meaning , Dictionary

Collapsible definition: capable of collapsing or of being collapsed, as for carrying or storing.. See examples of COLLAPSIBLE used in a sentence.

Versatile And Affordable collapsible solar panel

Invest in high-tech collapsible solar panel on

Alibaba and enhance green energy use. The collapsible solar panel are creatively designed for flawless performance.

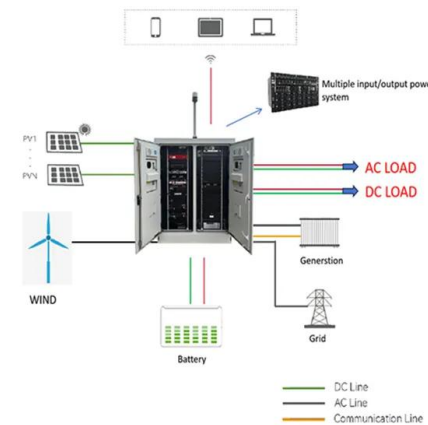


collapsible adjective

Definition of collapsible adjective in Oxford Advanced American Dictionary. Meaning, pronunciation, picture, example sentences, grammar, usage notes, synonyms and more.

Kristy Fisher and Jeffrey Fisher Wedding Registry

Kristy Fisher and Jeffrey Fisher from Georgetown, KY have registered at Amazon for their wedding on July 27, 2025. Browse all their registries in one list.

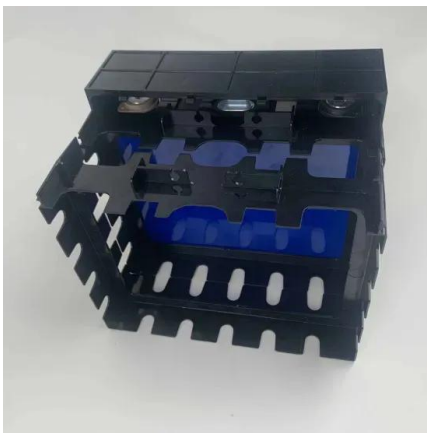


COLLAPSIBLE Definition & Meaning

The meaning of COLLAPSIBLE is able to be folded into a more compact shape; also, of a part of a graphical user interface : able to be hidden or to have certain components (such as options ...

COLLAPSIBLE , English meaning

us / k?'læp-s?'b?l / Add to word list designed to be folded into a smaller shape or size for easy storage (Definition of collapsible from the Cambridge Academic Content Dictionary © ...



COLLAPSIBLE

Discover everything about the word "COLLAPSIBLE" in English: meanings, translations, synonyms, pronunciations, examples, and grammar insights - all in one comprehensive guide.

Collapsible

Define collapsible. collapsible synonyms, collapsible pronunciation, collapsible translation, English dictionary definition of collapsible. v. col·lapsed, col·laps·ing, col·laps·es v. intr. 1. To fall ...



Pallets & Bins: Plastic Pallets, Bulk Bin Containers, ...

At Pallets & Bins, we make it easy to get high-quality, reusable plastic pallets and bulk containers. Whether you need everyday staples like ...



COLLAPSIBLE definition in American English , Collins English ...

A collapsible object is designed to be folded flat when it is not being used .. Click for pronunciations, examples sentences, video.



Versatile And Affordable collapsible solar panels

Invest in high-tech collapsible solar panels on Alibaba and enhance green energy use. The collapsible solar panels are creatively designed for flawless performance.

Conex Box Roof Ideas: Creative Solutions For Your Container Roof (2025)

Consider installing a pitched roof, green roof, or solar panels on your Conex box. These options offer durability and sustainability.





THE POWER OF SOLAR ENERGY CONTAINERS: A ...

Solar energy containers offer a reliable and sustainable energy solution with numerous advantages. Despite initial cost considerations and power limitations, their benefits ...

215KWh Collapsible Solar Energy Storage Container (20ft)

This 20ft collapsible container solution features 60kW solar capacity and 215kWh battery storage. Built with robust 480W modules, it powers extended off-grid missions, from microgrids to rural ...



Contact Us

For catalog requests, pricing, or partnerships, please visit:
<https://bialydom.kolobrzeg.pl>