

## European Solar Energy Storage

# Can you run a car on solar energy



## Overview

---

There are several electric cars with solar panels available today — some recharge the smaller 12-volt battery that runs your air conditioning, while others can top you up with a few miles of electric range — but at this time, no commercially available solar panels are capable of fully.

There are several electric cars with solar panels available today — some recharge the smaller 12-volt battery that runs your air conditioning, while others can top you up with a few miles of electric range — but at this time, no commercially available solar panels are capable of fully.

There are several electric cars with solar panels available today — some recharge the smaller 12-volt battery that runs your air conditioning, while others can top you up with a few miles of electric range — but at this time, no commercially available solar panels are capable of fully powering an.

Solar-powered cars are an exciting prospect, and while the technology is still in development, it's possible to convert a car to solar power. The process involves removing the engine and components, such as the radiator, tailpipe, and muffler, and replacing them with solar panels and batteries.

The roof and hood of the Lightyear One are comprised of integrated solar cells so the car can charge itself whenever it absorbs sunlight. Lightyear There may be no such thing as a free lunch, but what about a free ride?

Think of how awesome it would be if your car could keep running without you.

Solar-powered cars use photovoltaic (PV) cells to convert sunlight into electricity, which powers the car's motor. The solar panels are typically installed on the roof or body of the car. The electricity generated from the sun charges a battery that powers the electric motor. Can You Convert Your.

The integration of solar energy with EVs is becoming increasingly accessible and cost-effective as innovative solutions arise, like solar charging systems, solar arrays, and even solar roofs on vehicles like the Lightyear 0 and Sono

Motors' Sion. By leveraging the power of the sun through solar.

How much power can a car generate from solar energy?

Solar energy can significantly complement a vehicle's power requirements, contributing to the overall efficiency and sustainability of transportation. 1. Solar panels installed on vehicles can generate power to assist propulsion, 2. The amount of. Can solar power power an electric car?

While solar energy alone may not be sufficient to power an electric car entirely, it can provide a supplemental charging source. By harnessing solar power, EV owners depend less on the electrical grid and fossil fuels. EV charging stations with solar panels supplement electricity from the grid. Why Don't EVs Have Solar Panels On The Roof?

.

Can a car run on solar panels?

The car can run on gasoline, electricity, and the power it generates from its own roof made out of solar panels. Initially only released in South Korea, it is now available in North America and currently gets up to 700 additional miles per year from its solar panel roof.

Are solar panels a good idea for cars?

The renewed interest in solar panels on cars is less about the panels themselves becoming better, and more about the fact that hybrid and electric cars, and their infrastructure, is better.

Will there be solar-powered cars in the future?

There are multiple companies working on different solar-powered cars, and hopefully, someday in the future, there will be solar-powered cars in driveways and on roads near you. Even if you don't have a solar panel car, you can power an energy-efficient electric car with solar panels!.

How do solar-powered electric cars work?

Solar-powered electric vehicles (EVs) have seen advancements in recent years, with some manufacturers incorporating solar cells into the car's design. These solar cells, often integrated into the vehicle's roof or body panels, capture sunlight and convert it into electricity to charge the car's battery.

Do electric vehicles have solar panels on their roofs?

The main reason electric vehicles (EVs) do not have solar panels on their roofs is due to space limitations and the amount of energy that can be generated. The surface area available on a typical vehicle roof is relatively small compared to the energy demands of an electric car.

## Can you run a car on solar energy

---



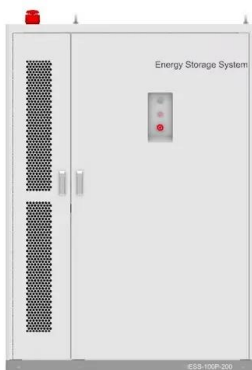
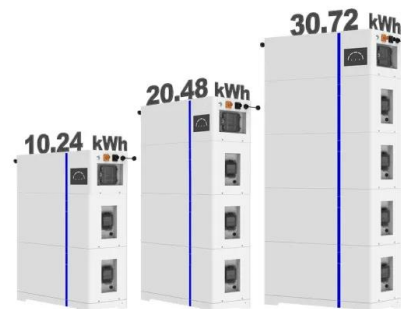
### Solar-Powered Cars: Are They Possible? , ShunAuto

Another challenge is that solar cars require a significant amount of energy to run, especially if they are large or powerful vehicles. The energy demand often outweighs the ...

### What is Solar Car? Definition, Components, Diagram, Advantages

A solar car is a vehicle powered entirely or partially by solar energy, utilizing photovoltaic (PV) cells to convert sunlight into electrical energy. This energy is stored in ...

ESS



### Solar Power Cars: Are Solar Panels Enough? , ShunAuto

Solar-powered cars have been a topic of interest since the creation of the first solar cell in 1883. Solar cars use photovoltaic cells to convert sunlight into energy, which is ...

### Solar Panels Can Power Cars, Too , HowStuffWorks

In fact, it's unlikely that we'll see a car that can

be fully powered by a solar panel integrated into the roof, because a panel that size is just too small to produce the power needed.



## Solar EV Charging: Can You Charge Your Car with Solar? , Electrly

If you are an electric vehicle (EV) owner or in the market for one, you may have already considered the advantages of utilizing solar panels to charge your EV. By doing so, you can ...

## Can I Use a Car Battery for Solar Panels?

No, you cannot effectively use a car battery for solar panels in most cases. While car batteries are designed to provide a quick burst of power for starting your vehicle, they ...

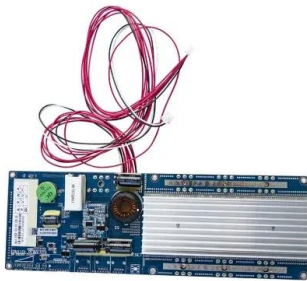


## Why Electric Vehicles and Solar Panels are a Dynamic Duo

Can you power an EV with solar panels? Absolutely, and more than 25% of EV drivers have solar panels to enhance their charging experience.

## Can I Use A Car Battery For Solar Energy Storage? Benefits And ...

Yes, you can use a car battery for solar, but it's not recommended. Car batteries are designed for short bursts of energy. They cannot handle deep cycling well. This can lead to ...



## Can A Solar Battery Be Used in A Car? The Future of ...

Understanding what a Solar Battery is Yes, a solar battery can be used in a car. Solar batteries are used in electric vehicles and hybrid cars to store energy produced by solar panels installed on the vehicle. This energy is ...

## Can you buy solar panel cars in 2023?

Imagine how much further you could drive in your electric vehicle (EV) if it were charging its battery with solar panels while you were driving! In this article, we'll take a look at how feasible solar panel cars actually are and ...



## Can I Run my Device Directly from Solar Power?

Can you run a device directly from solar power? Learn how a solar charger works - capabilities and limitations - and the role of the solar charge controller.



## Your Guide To Integrating Solar Energy And Electric ...

Can Electric Cars Run On Solar Energy? While electric cars typically charge their batteries from the electrical grid, it is possible to power them directly using solar energy. This is achieved by integrating solar panels into the vehicle or utilizing ...



## Running an Electric Car on Solar Energy

Can you run your car on solar energy? Yes!! Here's how it's done, depending on whether you are at home or work during the day. Read our guide by Joju Solar for more information.

## This Is Why We Don't Have Solar-Powered Cars

The reason is simple math. As Engineering Explained spells out in his new video, there are limits to how much energy can be captured by a car-sized solar panel.





## Complete guide to solar vehicles: how do solar ...

With the increased interest in renewable and sustainable energy systems, solar-powered cars have come to the fore. Many automobile companies are working towards making solar cars, and the

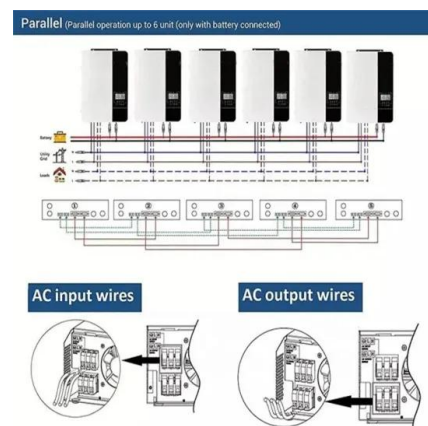


## Eli5 why are solar panels not used to run cars

You could have deployable solar panels on the side for non driving, and additional solar panels that can be placed outside the vehicle on the ground, but at that point you are doing a mars ...

## Can You Charge A Tesla Car With Solar Panels?

With Tesla's focus on sustainability, many owners wonder if they can use solar energy to charge their electric vehicles (EVs). The good news is that it's possible, and it can ...



## Unleashing the Power: Can car batteries be used with ...

Embark on a journey into the world of renewable energy as we delve into the intriguing question: Can car batteries be used with solar panels? Discover the intricate workings of this dynamic duo, unravel the advantages of ...



## [How Solar Vehicles Work: A Deep Dive](#)

Solar vehicles harness the power of the sun through photovoltaic cells, converting sunlight into electrical energy to propel the vehicle forward. This article explores the intricacies of solar energy and the innovative ...

## **Electric Cars With Solar Panels: Can They Work?**

Solar-powered electric cars sound like a perfect solution, but how viable are they now, and when might your car get a top-up just by sitting outside?



## [Can I Use a Solar Battery on a Car](#)

Solar power can help charge a battery or run specific components, but it typically won't be powerful enough to fully operate a car's electrical system or start the engine. The idea ...



## Can A Car Battery Be Used For Solar? Compatibility And Energy ...

Yes, a car battery can be used for solar power, but it is not recommended. Car batteries use thin internal plates and are made for short energy bursts. This usage can harm ...



## Can You Use a Car Battery for Solar? - Power Guide

Learn if you can use a car battery for solar power. Get expert insights, tips, and product recommendations in our comprehensive guide.

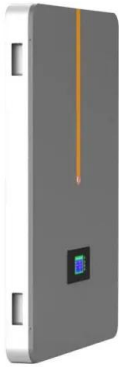
## Converting Cars To Solar Power: A Step-By-Step Guide

Solar-powered cars are an exciting prospect, and while the technology is still in development, it's possible to convert a car to solar power. The process involves removing the ...



## How much power can a car generate from solar energy?

The prospects of solar energy's integration into automobile technology reveal transformative potential for the industry. Analyzing the generation capabilities and external factors reveals critical insights into how ...



## Contact Us

---

For catalog requests, pricing, or partnerships, please visit:  
<https://bialydom.kolobrzeg.pl>