

European Solar Energy Storage

Afghanistan dingfu energy pte ltd



Afghanistan dingfu energy pte ltd

INTEGRATED DESIGN

EASY TO TRANSPORT AND INSTALL,
FLEXIBLE DEPLOYMENT



Admin HR Executive

DINGFU ENERGY PTE. LTD. Verified Company · Singapore 40 minutes ago Posted by: Wei Jie. beBee Recruiter. Description Roles & Responsibilities: Manage full spectrum of human resource functions including recruitment, compensation and benefits, employee relations, performance management, training & development, and process monthly payroll;

DINGFU ENERGY PTE. LTD. Salaries in Singapore

How much does DINGFU ENERGY PTE. LTD. in Singapore pay? See DINGFU ENERGY PTE. LTD. salaries collected directly from employees and jobs on Indeed. Salary information comes from 5 data points collected directly from employees, users, and past and present job advertisements on Indeed in the past 36 months.



Hean Meng Siew

Owner, Solidtrack & Associates Pte. Ltd. · Experience: Solidtrack & Associates Pte. Ltd. · Education: University of Melbourne · Location: Singapore · 6 connections on LinkedIn. View Hean Meng Siew's profile on LinkedIn, a professional community of 1 billion members.

DINGFU ENERGY PTE. LTD. Jobs and Careers, Reviews

DINGFU ENERGY PTE. LTD. Open Vacancies at DINGFU ENERGY PTE. LTD. (0) No vacancies. Share with Friends . Company Info . Claim this company page. Discover More Jobs . Join us now and know about all companies hiring in Singapore Join and Find your Job



Kerja Sepenuh Masa, Sales Executive di Dingfu Energy Pte. Ltd

Dingfu Energy Pte. Ltd. Undisclosed Sepenuh Masa. Geylang, Southeast. Jadilah pemohon terawal! Jadilah pemohon terawal! Kongsi. Simpan Mohon Tanggungjawab Roles & Responsibilities. A Solar Energy Company looking self-motivate candidate:-Responsibilities: - Contributing to the development of marketing strategies.

DINGFU ENERGY PTE. LTD. :: Singapore :: OpenCorporates

Free and open company data on Singapore company DINGFU ENERGY PTE. LTD. (company number 201933941M), 10 UBI CRESCENT, #02-46, UBI TECHPARK, 408564



Job: M& E ENGINEER at DINGFU ENERGY PTE. LTD. Singapore

DINGFU ENERGY PTE. LTD. Kampong Ubi, Central Region . Posted March 15, 2024 . Apply Now . Job Description . Roles & Responsibilities. A Construction company (Solar) are looking for self

motivate candidates: Job scope: Responsible for coordination, planning, and forecasting to optimize utilization of resources to fulfil budgetary and project



DINGFU ENERGY PTE. LTD.

Find company research, competitor information, contact details & financial data for DINGFU ENERGY PTE. LTD. of Singapore. Get the latest business insights from Dun & Bradstreet.



Dingfu Energy Solar Sales and Marketing Executive

Sales and Marketing Executive at Dingfu Energy. We are seeking a highly motivated and experienced Sales and Marketing Executive to join our team at Dingfu Energy Pte. Ltd. Company Overview: Dingfu Energy is a leading solar energy company dedicated to providing innovative solutions for a sustainable future. Job Summary:

ADMIN CUM HR EXECUTIVE Job For 2-5 Year Exp In Dingfu Energy Pte. Ltd

Dingfu Energy Pte. Ltd. Singapore 2-5 years. 2800 - 3500 SGD monthly. 14 hours ago 1 Applied. Get notified for jobs based on your search when they are posted. Job Description. A

construction company (Solar Energy) looking for self-motivate candidates: Roles & Responsibilities: Manage full spectrum of human resource functions including

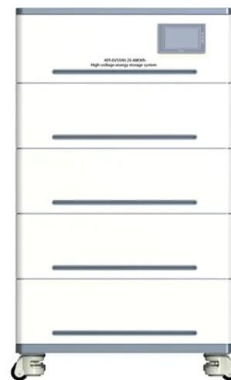


[DINGFU ENERGY PTE. LTD.](#) [\(201933941M\)](#)

DINGFU ENERGY PTE. LTD. is a Singapore EXEMPT PRIVATE COMPANY LIMITED BY SHARES. The company was incorporated on 09 Oct 2019, which is 5.1 years ...

Accountant Salaries in Singapore for DINGFU ENERGY PTE. LTD ...

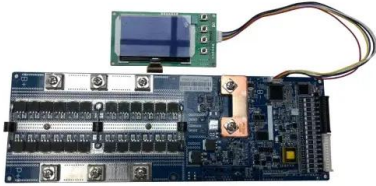
Accountant monthly salaries in Singapore at DINGFU ENERGY PTE. LTD. Job Title. Accountant 2 salaries. Location. Singapore. Average salary. \$3,600 per month. 11%. Below national average. Average \$3,600. Low \$2,910. High \$4,454. Salary estimated from 2 employees, users, and past and present job advertisements on Indeed in the past 12 months.



[admin cum hr executive](#)

DINGFU ENERGY PTE. LTD. Singapore Found in: Talent SG 2A C2 - 16 minutes ago Apply. Description Roles & Responsibilities. A construction company (Solar Energy) looking for self-motivate candidates: Roles &

Responsibilities: Manage full spectrum of human resource functions including recruitment, compensation and benefits, employee relations



DINGFU ENERGY PTE. LTD. (201933941M) , tellme.sg

DINGFU ENERGY PTE. LTD. (201933941M) is incorporated on 09/10/2019, Wednesday and is 5 years 0 months 12 days old. Current status is Live Company . It has 3 officers with paid up ...



Energy storage(KWH)

102.4kWh

Nominal voltage(Vdc)

512V

Outdoor All-in-one ESS cabinet



Quantity Surveyor

A Construction Company (Solar Energy) looking self-motivate employee. ****Responsibilities**:**

- - Perform quantity take-off and measurements for tenders;
- - Prepare document for inviting quotations, prepare comparison, tender report;
- - Prepare and analyze costing for tenders;

DINGFU ENERGY PTE. LTD.

Find company research, competitor information, contact details & financial data for DINGFU ENERGY PTE. LTD. of Singapore. Get the latest business insights from Dun & Bradstreet. DINGFU ENERGY PTE. LTD. D & B Business Directory HOME / BUSINESS DIRECTORY / UTILITIES / ELECTRIC POWER GENERATION, TRANSMISSION AND DISTRIBUTION



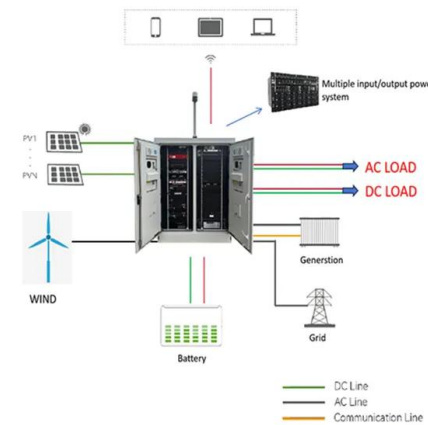


75+ Solar Design Jobs, Employment November 11, 2024

POSITION :Engineer, ESD (Environmentally Sustainable Design). LOCATION : Singapore REPORTING TO : Director. POSITION SUMMARY: Will significantly contribute to building a better world that is environmentally sustainable. Opportunity to work with multicultural international teams and be involved in large projects for optimizing indoor performance, maximizing energy ...

Find Utilities Companies in Singapore

Find detailed information on Utilities companies in Singapore, including financial statements, sales and marketing contacts, top competitors, and firmographic insights.



HR Assistant

DINGFU ENERGY PTE. LTD. Singapore Found in: Talent SG 2A C2 - 10 minutes ago Apply. \$40,000 - \$60,000 per year Human Resources . Description Roles & Responsibilities. A construction company (Solar Energy) looking for self-motivate candidates: Roles & Responsibilities: Manage full spectrum of human resource functions including recruitment



[DINGFU ENERGY PTE. LTD.](#)

Considering a job @ DINGFU ENERGY PTE. LTD. in Singapore? View the latest jobs on offer from

DINGFU ENERGY PTE. LTD. on MyCareersFuture.sg. By continuing to browse our site you agree to our use of cookies. Close. A Singapore Government Agency Website How to ...



**2MW / 5MWh
 Customizable**



DINGFU ENERGY PTE. LTD. · 10 Ubi Crescent, #05-43, Ubi Techpark

DINGFU ENERGY PTE. LTD. (UEN ID 201933941M) is a corporate entity registered with Accounting and Corporate Regulatory Authority. The incorporation date is October 9, 2019. ...

[DINGFU ENERGY PTE. LTD. \(201933941M\)](#)

Find key decision-makers, contacts, emails, headcount, share capital, recent funding, IPO status and other insights of DINGFU ENERGY PTE. LTD. Details about DINGFU ENERGY PTE. ...



Quantity Surveyor jobs by DINGFU ENERGY PTE. LTD. in

Apply for Quantity Surveyor jobs at DINGFU ENERGY PTE. LTD.. Work location in . The company needs new staff urgently until 20 January 2024. Apply now on Ricebowl!



SUZHOU YUANLIN PTE. LTD.
(200104373M)

SUZHOU YUANLIN PTE. LTD. Registration No. / Unique Entity Number: 200104373M issued by Accounting And Corporate Regulatory Authority SUZHOU YUANLIN PTE. LTD. (the "Company") is a Private Company Limited by Shares, incorporated on 3 July 2001 (Tuesday) in Singapore . The address of the Company's registered office is at the UBI ...

114KWh ESS

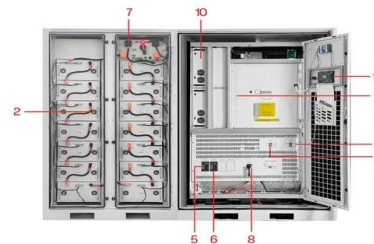


SUZHOU YUANLIN PTE. LTD.

SUZHOU YUANLIN PTE. LTD.. is ACRA -registered entity that has been operating for 23 years 5 months in Singapore since its incorporation in 2001. Officially, . SUZHOU YUANLIN PTE. LTD. is registered as Exempt Private Limited Company with its address 10 UBI CRESCENT, #02-46, UBI TECHPARK, Singapore 408564. SUZHOU YUANLIN PTE. LTD.. is a non-listed entity in the ...

TIMEZONE SINGAPORE PTE. LTD. (199704396W)

TIMEZONE SINGAPORE PTE. LTD. was incorporated on 26 June 1997 (Thursday) as a Private Company Limited by Shares in Singapore. The Company current operating status is live with registered address at VALLEY POINT. The Company principal activity is in GAME ARCADE, ONLINE GAME AGGREGATOR, LAN GAME OPERATORS AND ...



- 1 PCS Module
- 2 Battery room
- 3 Grid side circuit breaker
- 4 Load side circuit breaker
- 5 OPV1 side circuit breaker
- 6 OPV2 side circuit breaker
- 7 High Volt Box
- 8 BAT side circuit breaker
- 9 LCD display screen
- 10 MPPT

Job: M& E ENGINEER (POWER ENGINEER) at DINGFU ENERGY PTE. LTD...



DINGFU ENERGY PTE. LTD. Kampong Ubi, Central Region . Posted November 14, 2024 . Apply Now . Job Description . Roles & Responsibilities. A Construction company (Solar) are looking for self motivate candidates: Job scope: Responsible for coordination, planning, and forecasting to optimize utilization of resources to fulfil budgetary and project

About Us

Guangdong Dingfu New Material Technology Co., Ltd vering an area of 140K square meters, with a total investment of about 1.15 billion RMB. As a key project in Guangdong Province in 2020, Dingfu is committed to building a new industrial park area with integration of scientific research, production and life.



IP65/IP55 OUTDOOR CABINET

OUTDOOR MODULE CABINET

OUTDOOR 5G BASE STATION CABINET

WATERPROOF

Contact Us

For catalog requests, pricing, or partnerships, please visit:
<https://bialydom.kolobrzeg.pl>